

Smart Flood

An excellent low energy fitting ideal for sign lighting and a host of commercial & domestic, courtesy and security flood lighting uses.

The low energy Compact Fluorescent lamps assists in compliance with Part L of the building requirements for the provision of energy saving lighting.

The low energy Smart Flood has been expertly designed with an attention to detail. The compact and robust impact resistant UV stabilised polycarbonate casing offers a lightweight, shatterproof unit with a host of features to help speed up installation time.

- Low energy flood light.
- IP65.
- Integral photocell option. (external use only).
- Polycarbonate case and diffuser.
- Light weight.
- Compact & robust construction.
- Extremely easy to install.
- Asymmetric reflector.
- Hinged front fascia.
- Available in: Black, White and Titanium finishes.
- When the diffuser is placed horizontally the luminaire provides zero upward light.

Lamp & Operating options

- 13w – 26w TCD.
- 32w – 42w TCT (high frequency only).
- Switch Start PFC and High frequency operating options.

Designed with a host of installation features

- Brass inserts.
- Light weight.
- Mounting angle referencing.
- Ratchet system on bracket.



Black



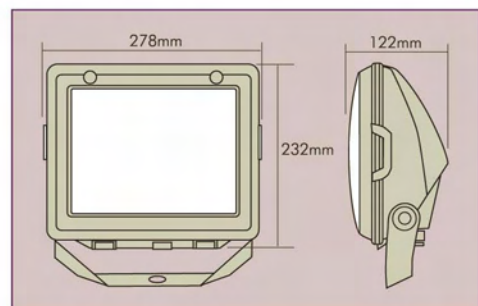
White



Titanium

Output Comparisons

Wattage	Lumen Output	Tungsten Wattage Equivalent
18w TCD	1200 Lumens	100w
26w TCD	1800 Lumens	150w
32w TCD	2200 Lumens	185w
42w TCT	3200 Lumens	260w



Smart Flood



Lamp Types

- 13W/18W/26W 3500K TC-D 4-Pin G24q-3 Cap.
 - 32W/42W. 3500K TC-D 4Pin G24q-3 Cap.
- PLEASE NOTE – High frequency versions are all 4-Pin.

Materials

- Body: Vandal resistant polycarbonate self-extinguishing fire properties in black / white / titanium.
- Reflector: Asymmetric specular reflector.
- Diffuser: Clear vandal resistant polycarbonate.

Installation

- Cable gland entry.
- 3 way mains terminal block. 4 way terminal block for photocell version.
- Quick fix mounting bracket.
- Ratchet system on bracket.
- Innovative snap handles.
- Adjustable stirrup bracket with angle dial.

Standards

- IP65.
- 'F' Mark.
- CE.
- BS EN 60598-2-1.
- Class I.



Options

- Switch start PFC.
- High frequency.
- Photocell version.
- Tamper proof screws.
- Coloured lens.
- 110° and 180° PIR version (high frequency).
- Sign Extension.

Description	13W PFC	13W PFC + PC	13W HF	13W HF + PC
Black	SFL/B113F	SFL/B113FC	SFL/B113E	SFL/B113EC
White	SFL/W113F	SFL/W113FC	SFL/W113E	SFL/W113EC
Titanium	SFL/X113F	SFL/X113FC	SFL/X113E	SFL/X113EC

Description	18W PFC	18W PFC + PC	18W HF	18W HF + PC
Black	SFL/B118F	SFL/B118FC	SFL/B118E	SFL/B118EC
White	SFL/W118F	SFL/W118FC	SFL/W118E	SFL/W118EC
Titanium	SFL/X118F	SFL/X118FC	SFL/X118E	SFL/X118EC

Description	26W PFC	26W PFC + PC	26W HF	26W HF + PC
Black	SFL/B126F	SFL/B126FC	SFL/B126E	SFL/B126EC
White	SFL/W126F	SFL/W126FC	SFL/W126E	SFL/W126EC
Titanium	SFL/X126F	SFL/X126FC	SFL/X126E	SFL/X126EC

Description	32W HF	32W HF + PC	42W HF	42W HF + PC
Black	SFL/B132E	SFL/B132EC	SFL/B142E	SFL/B142EC
White	SFL/W132E	SFL/W132E	SFL/W142E	SFL/W142EC
Titanium	SFL/X132E	SFL/X132EC	SFL/X142E	SFL/X142EC

Smart Flood PIR & Corner Bracket



Description	26W HF + 110° PIR	42W HF + 110° PIR
Black	SFL/B126EP	SFL/B142EP
White	SFL/W126EP	SFL/W142EP

Description	26W HF + 180° PIR	42W HF + 180° PIR
Black	SFL/B126EPH	SFL/B142EPH
White	SFL/W126EPH	SFL/W142EPH

Corner Bracket	Code
Stainless Steel	SFL/CB

Smart Flood Sign Extension



400mm Sign Extension	Code
Black	SFL/B4SE
White	SFL/W4SE
Titanium	SFL/X4SE