



MASTER VALUE LEDs pot LV



MASTER LED SPOT VLE D 7.5-50W MR16 927 36D

Philips MASTER VALUE MR16 is the series of Low Voltage (12VAC) Halogen MR16 replacements. Not only does it employ Philips' patented solution to guarantee the broadest possible compatibility with standard 12V Halogen electronic transformers. It also delivers beam intensity which is equivalent to the 50W Philips Halogen MR16 lamps. The form-factor of Philips MASTER Value LED MR16 guarantees a 100% form on the back-side of the lamp (exact form with Halogen lamps.)

Warnings and Safety

- Operating temperature range is between -20° C and 45° C ambient
- Only to apply in dry or damp locations and most of open fixtures with lamp-holders that offer sufficient space (10 mm free air space)
- Not intended for use with emergency light fixtures or exit lights

Product data

General Information	
Cap-Base	GU5.3 [GU5.3]
EU RoHS compliant	Yes
Nominal Lifetime (Nom)	25000 h
Switching Cycle	50000X
Flux measurement reference	Narrow Cone

Light Technical	
Color Code	927 [CCT of 2700K]
Beam Angle (Nom)	36 °
Luminous Flux (Nom)	621 lm
Luminous Intensity (Nom)	1600 cd
Color Designation	Warm White (WW)

Correlated Color Temperature (Nom)	2700 K
Luminous Efficacy (rated) (Nom)	82.00 lm/W
Color Consistency	<6
Color Rendering Index (Nom)	90
LLMF At End Of Nominal Lifetime (Nom)	70 %
Luminous Flux in 90° Cone (Rated)	621 lm

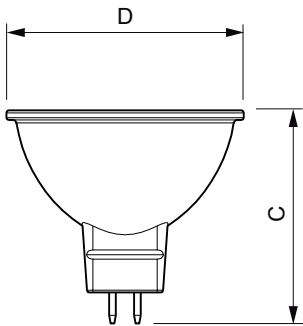
Operating and Electrical	
Input Frequency	- Hz
Power (Nom)	7.5 W
Lamp Current (Nom)	660 mA
Wattage Equivalent	50 W
Starting Time (Nom)	0.5 s

MASTER VALUE LEDspot LV

Warm Up Time to 60% Light (Nom)	0.5 s
Power Factor (Nom)	0.7
Voltage (Nom)	ac electronic 12 V
Temperature	
T-Case Maximum (Nom)	95 °C
Controls and Dimming	
Dimmable	Only with specific dimmers
Mechanical and Housing	
Bulb Shape	MR16 [2inch/50mm]
Approval and Application	
Energy Efficiency Class	F
Suitable For Accent Lighting	Yes

Energy Consumption kWh/1000 h	8 kWh
EPREL Registration Number	453180
Product Data	
Full product code	871951430732200
Order product name	MASTER LED SPOT VLE D 7.5-50W MR16 927 36D
EAN/UPC - Product	8719514307322
Order code	929002493202
Numerator - Quantity Per Pack	1
Numerator - Packs per outer box	10
Material Nr. (12NC)	929002493202
Net Weight (Piece)	0.045 kg

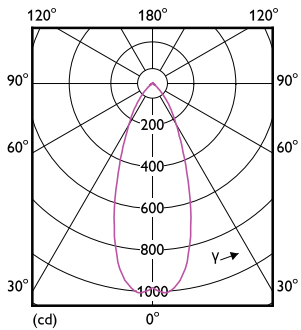
Dimensional drawing



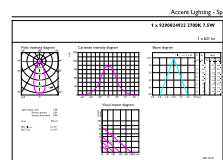
MR16 12V 7-50W 621lm 36D 2700K GU5.3 D

Product	D	C
MASTER LED SPOT VLE D 7.5-50W MR16 927 36D	50.5 mm	45.5 mm

Photometric data



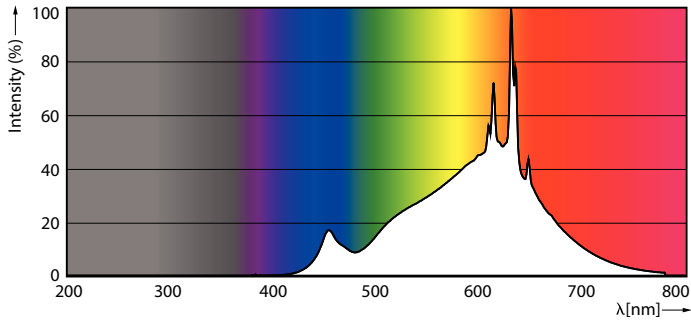
LEDspots MAS 7,5W MR16 GU5,3 927 36D



LEDspots MAS 7,5W MR16 GU5,3 927 36D

MASTER VALUE LEDspot LV

Photometric data



LEDspots MAS 7,5W MR16 GU5,3 927 36D

Lifetime



LEDspots LED 25K



LEDspots LMP 25K

