

General

Location:	Exterior
Class:	CE (Class I)
Ip Rating:	IP44
Bathroom Zone:	Zone 2, 3
Driver Required:	No
Installation Orientation:	Wall Mount - Vertical
Main Material:	Metal - Stainless Steel
Dimensions (mm):	H: 304 W: 161 D: 184
Cut Out Hole :	-
Recess Depth (mm):	-
Fire Rating:	-
Cable Length (mm):	-
Gross Weight (kg):	3

Lamp

Light Source:	E27/ES
Wattage:	60W
Lamp Included:	No
Maximum Lamp Length (mm):	170
Luminous Flux (lm):	Lamp Dependent
Colour Temp (K):	Lamp Dependent
CRI (Ra):	Lamp Dependent
Macadam Ellipse:	Lamp Dependent
Tilt Adjustable Angle (°):	-
Rotation Adjustable Angle (°):	-
Lifetime (hrs):	Lamp Dependent
Beam Angle (°):	Lamp Dependent

Electrical

Switched:	No
Dimmable:	Yes
Dimming Method:	Lamp Dependent
Supply Frequency (Hz):	-
Driver/Ballast Voltage (V):	-
Driver Lifetime (hrs):	-
Efficacy (lm/W):	Lamp Dependent

Additional Information:

Shade Included:	-
Shade/Diffuser Material:	Glass
Shade/Diffuser Finish:	Clear
F Mark:	Suitable for mounting on flammable materials



Code: 1366002
Finish: Textured Black

Suitable for use within five miles (eight km) of the coast or in other onerous environments. Subject to a three-year warranty, for further information please view our website.

Adapté à une utilisation dans un rayon de 8 km d'une côte ou dans d'autres environnements difficiles. Couvert par la garantie de 3 ans. Pour obtenir de plus amples informations, consultez notre site web.

IGeeignet für den Einsatz in einem Umkreis von acht Kilometern von der Küste oder in anderen rauen Umgebungen. Es gilt eine dreijährige Garantie. Weitere Informationen finden Sie auf unserer Website.

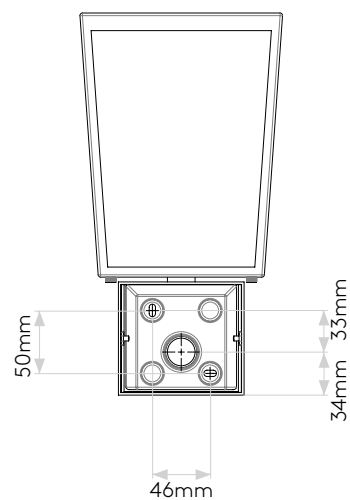
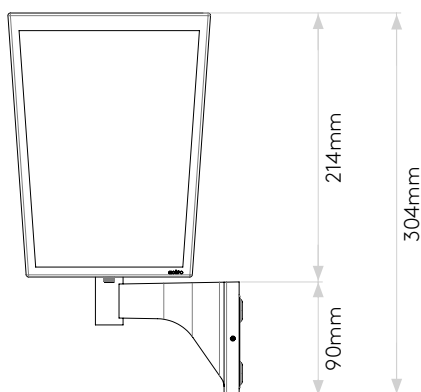
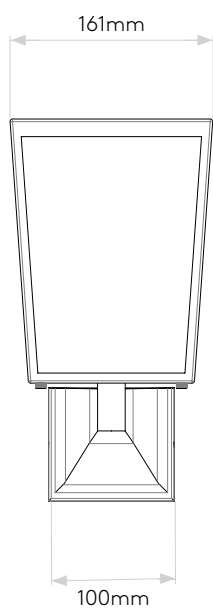
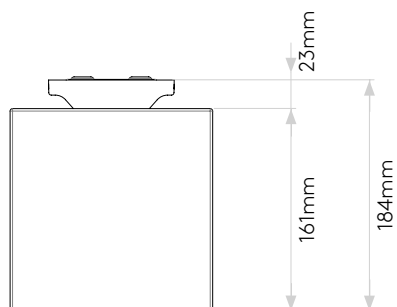
Adatti per l'utilizzo entro cinque miglia (otto chilometri) dalla costa o in ambienti con condizioni particolarmente rigide. Coperti da garanzia di tre anni, per ulteriori informazioni si veda il sito web.

To maintain this product to its best condition, please view our care and cleaning guide on the support section of the Astro website.

Pour entretenir au mieux ce produit, veuillez consulter notre guide d'entretien et de nettoyage, dans la rubrique d'aide sur le site Web d'Astro.

Um dieses Produkt im besten Zustand zu erhalten, beachten Sie bitte unseren Leitfaden zu Pflege und Reinigung im Abschnitt „Support“ auf der Astro-Website.

Per mantenere questo prodotto nelle sue migliori condizioni, consultare la nostra guida per la manutenzione e la pulizia nella sezione dedicata all'assistenza del sito Web Astro.



Please note that some dimensions may vary slightly due to manufacturing tolerances, this includes cable entry and fixing holes

Veuillez noter que certaines dimensions peuvent varier légèrement en raison des tolérances de fabrication, y compris l'entrée de câble et les trous de fixation.

Bitte beachten Sie, dass die Maße Fertigungstoleranzen unterliegen und daher in geringem Umfang von der angegebenen Größe abweichen können. Dies gilt auch für Kabeingänge und Befestigungslöcher.

Si prega notare che possono esserci piccole variazioni in alcune dimensioni dovute alle tolleranze di produzione, queste includono l'ingresso del cavo e i fori di fissaggio.