



AAZCLE50/PC

Aztec LED Coastal Symmetrical Floodlight 50W Photocell



Features

High performance die-cast marine grade aluminium luminaire with symmetrical light distribution suitable for industrial and coastal applications

304L stainless steel mounting bracket and fixings

Suitable for highly corrosive environments; including coastal and swimming pool applications

Pre-installed breathable gland prevents internal moisture accumulation

Pre-wired with 1.5 metre of rubber insulated cable for ease of installation

Concentrated saline 3,000 hour salt spray test to EN ISO 9227

High purity aluminium construction, surface electrophoresis and corrosion-proof treatment

Salt mist spray test verified

Non-dimmable

General Information

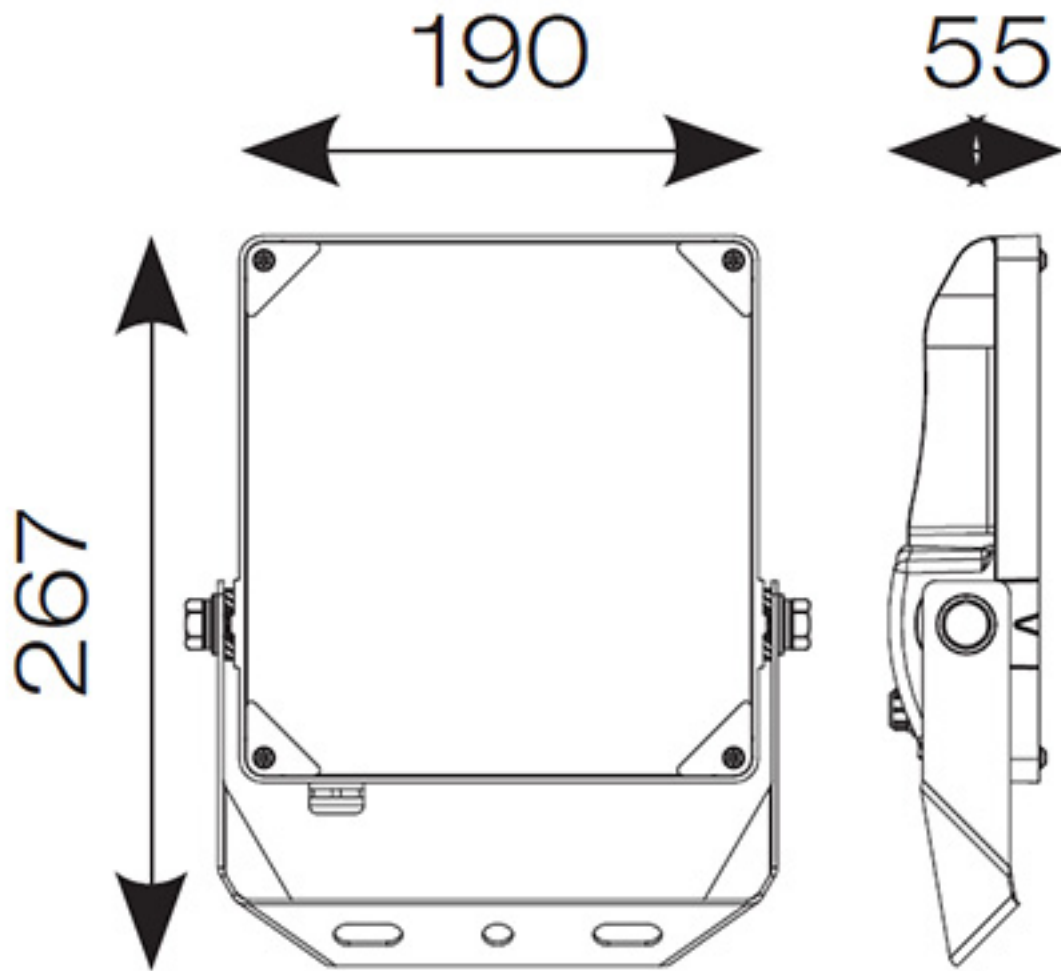
Lamp Type	LED
Photocell	Yes
IP Rating	IP66
IK Rating	IK08
Class Protection	1
Internal / External	External
Surface / Recessed / Suspended	Surface
Lifetime (Hrs)	L80 B10 54,000
Warranty (Years)	5
CE Mark	Yes
Width (mm)	190
Height (mm)	267
Depth (mm)	55

Technical Information

Wattage	50W
Lumens Delivered	7000lm
Lm/W	140lm
Beam Angle	115
CRI	Ra 70
CCT	5000K
Input	230V
Hertz	50/60Hz
Operating Temp	-30°C to 50°C
SDCM	5

Datasheet generated from <https://onetimepim.com> last updated Wednesday, June 15, 2022 8:50:33 AM





AAZCLED50



AAZCLED100/PC

Aztec LED Coastal Symmetrical Floodlight 100W Photocell



Features

High performance die-cast marine grade aluminium luminaire with symmetrical light distribution suitable for industrial and coastal applications

304L stainless steel mounting bracket and fixings

Suitable for highly corrosive environments; including coastal and swimming pool applications

Pre-installed breathable gland prevents internal moisture accumulation

Pre-wired with 1.5 metre of rubber insulated cable for ease of installation

Concentrated saline 3,000 hour salt spray test to EN ISO 9227

High purity aluminium construction, surface electrophoresis and corrosion-proof treatment

Salt mist spray test verified

Non-dimmable

General Information

Lamp Type	LED
Photocell	Yes
IP Rating	IP66
IK Rating	IK08
Class Protection	1
Internal / External	External
Surface / Recessed / Suspended	Surface
Lifetime (Hrs)	L80 B10 54,000
Warranty (Years)	5
CE Mark	Yes
Width (mm)	230
Height (mm)	314
Depth (mm)	61

Technical Information

Wattage 100W

Lumens Delivered 14750lm

Lm/W 148lm

Beam Angle 115

CRI Ra 70

CCT 5000K

Input 230V

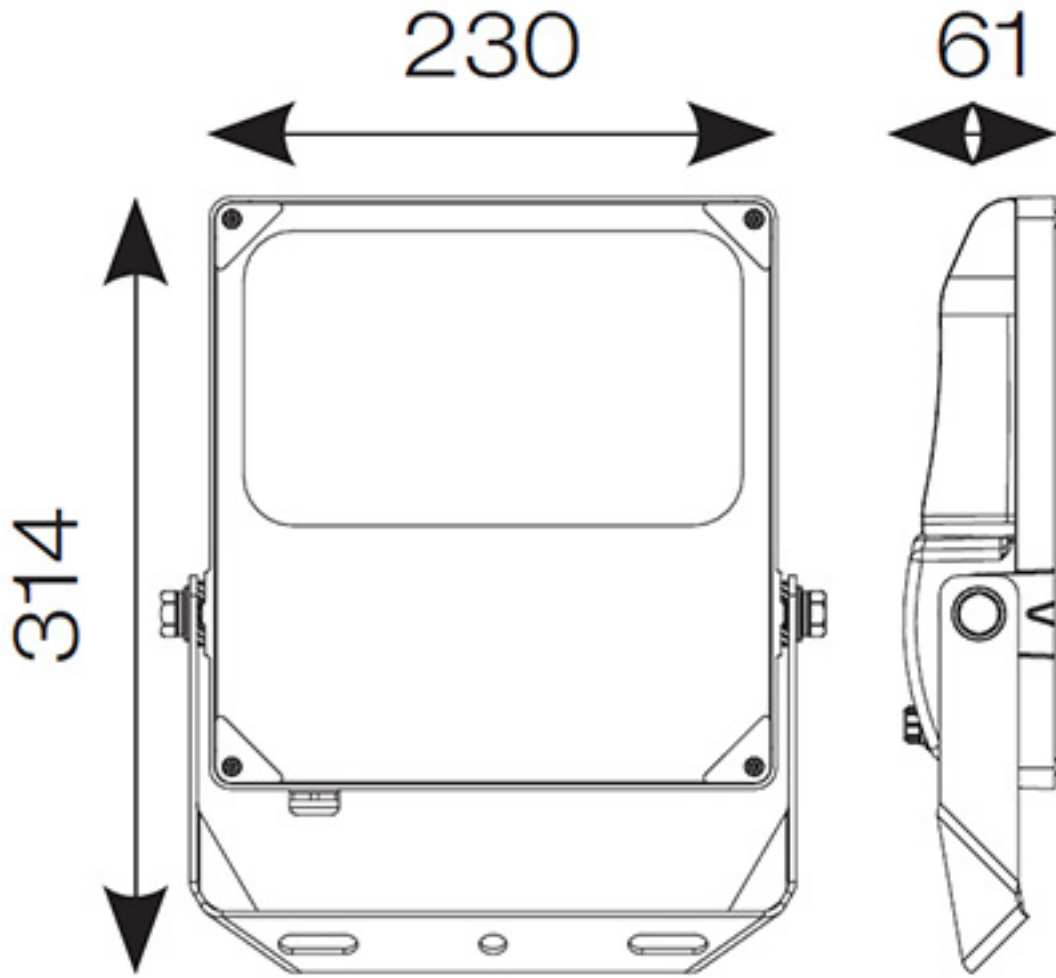
Hertz 50/60Hz

Operating Temp -30°C to 50°C

SDCM 5

Datasheet generated from <https://onetimepim.com> last updated Wednesday, June 15, 2022 8:50:33 AM





AAZCLED100

AAZCLED150/PC

Aztec LED Coastal Symmetrical Floodlight 150W Photocell



Features

High performance die-cast marine grade aluminium luminaire with symmetrical light distribution suitable for industrial and coastal applications

304L stainless steel mounting bracket and fixings

Suitable for highly corrosive environments; including coastal and swimming pool applications

Pre-installed breathable gland prevents internal moisture accumulation

Pre-wired with 1.5 metre of rubber insulated cable for ease of installation

Concentrated saline 3,000 hour salt spray test to EN ISO 9227

High purity aluminium construction, surface electrophoresis and corrosion-proof treatment

Salt mist spray test verified

Non-dimmable

General Information

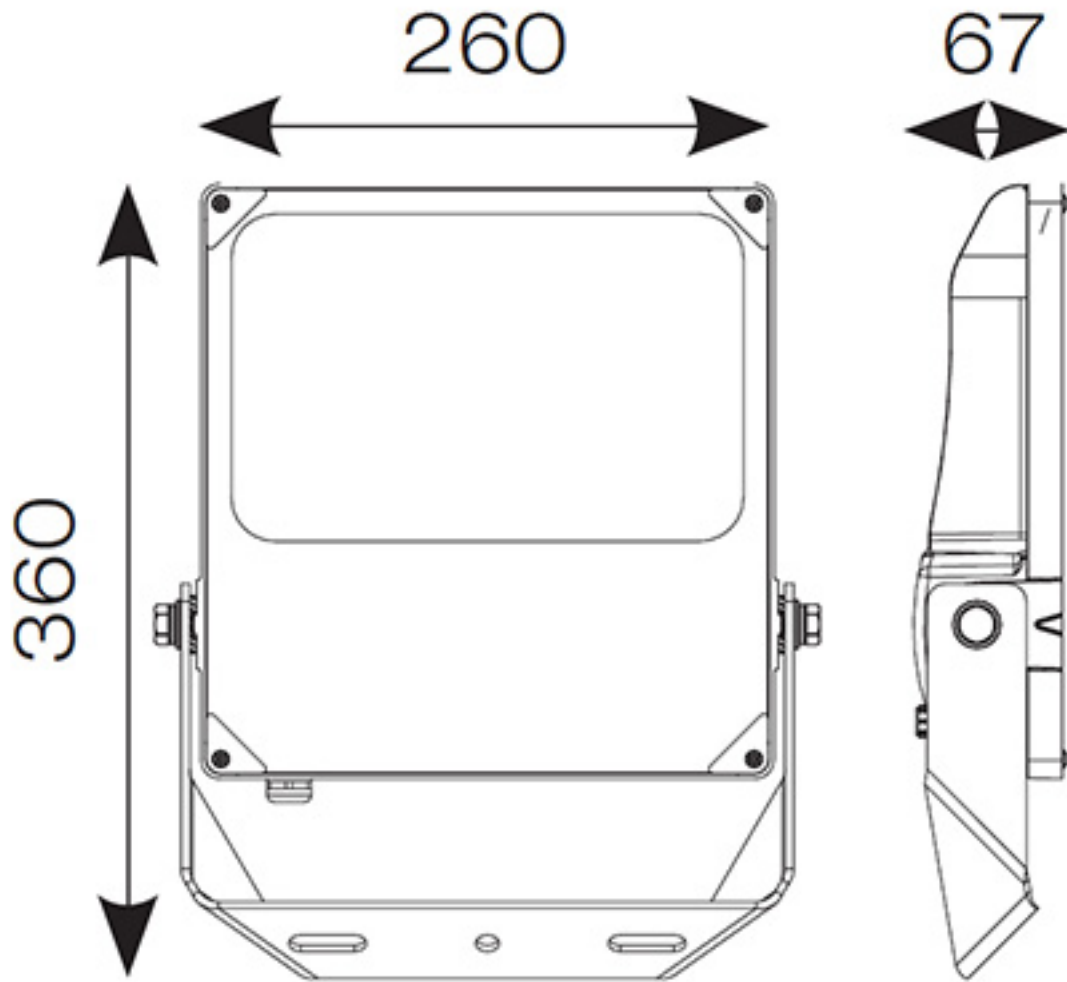
Lamp Type	LED
Photocell	Yes
IP Rating	IP66
IK Rating	IK08
Class Protection	1
Internal / External	External
Surface / Recessed / Suspended	Surface
Lifetime (Hrs)	L80 B10 54,000
Warranty (Years)	5
CE Mark	Yes
Width (mm)	260
Height (mm)	360
Depth (mm)	67

Technical Information

Wattage	150W
Lumens Delivered	21750lm
Lm/W	145lm
Beam Angle	115
CRI	Ra 70
CCT	5000K
Input	230V
Hertz	50/60Hz
Operating Temp	-30°C to 50°C
SDCM	5

Datasheet generated from <https://onetimepim.com> last updated Wednesday, June 15, 2022 8:50:33 AM





AAZCLED150



AAZCLED200/PC

Aztec LED Coastal Symmetrical Floodlight 200W Photocell



Features

High performance die-cast marine grade aluminium luminaire with symmetrical light distribution suitable for industrial and coastal applications

304L stainless steel mounting bracket and fixings

Suitable for highly corrosive environments; including coastal and swimming pool applications

Pre-installed breathable gland prevents internal moisture accumulation

Pre-wired with 1.5 metre of rubber insulated cable for ease of installation

Concentrated saline 3,000 hour salt spray test to EN ISO 9227

High purity aluminium construction, surface electrophoresis and corrosion-proof treatment

Salt mist spray test verified

Non-dimmable

General Information

Lamp Type	LED
Photocell	Yes
IP Rating	IP66
IK Rating	IK08
Class Protection	1
Internal / External	External
Surface / Recessed / Suspended	Surface
Lifetime (Hrs)	L80 B10 54,000
Warranty (Years)	5
CE Mark	Yes
Width (mm)	300
Height (mm)	398
Depth (mm)	70

Technical Information

Wattage 200W

Lumens Delivered 28500lm

Lm/W 143lm

Beam Angle 115

CRI Ra 70

CCT 5000K

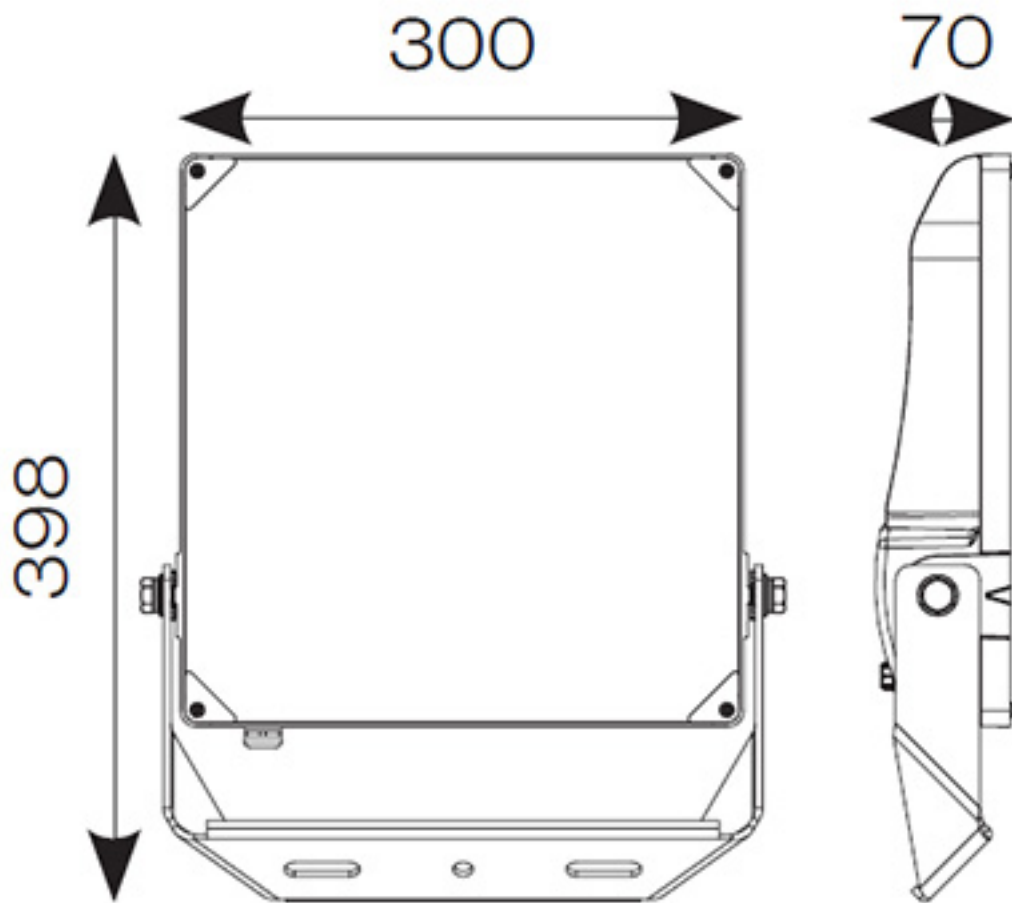
Input 230V

Hertz 50/60Hz

Operating Temp -30°C to 50°C

SDCM 5

Datasheet generated from <https://onetimepim.com> last updated Wednesday, June 15, 2022 8:50:33 AM



AAZCLED200

AAZCLED300/PC

Aztec LED Coastal Symmetrical Floodlight 300W Photocell



Features

High performance die-cast marine grade aluminium luminaire with symmetrical light distribution suitable for industrial and coastal applications

304L stainless steel mounting bracket and fixings

Suitable for highly corrosive environments; including coastal and swimming pool applications

Pre-installed breathable gland prevents internal moisture accumulation

Pre-wired with 1.5 metre of rubber insulated cable for ease of installation

Concentrated saline 3,000 hour salt spray test to EN ISO 9227

High purity aluminium construction, surface electrophoresis and corrosion-proof treatment

Salt mist spray test verified

Non-dimmable

General Information

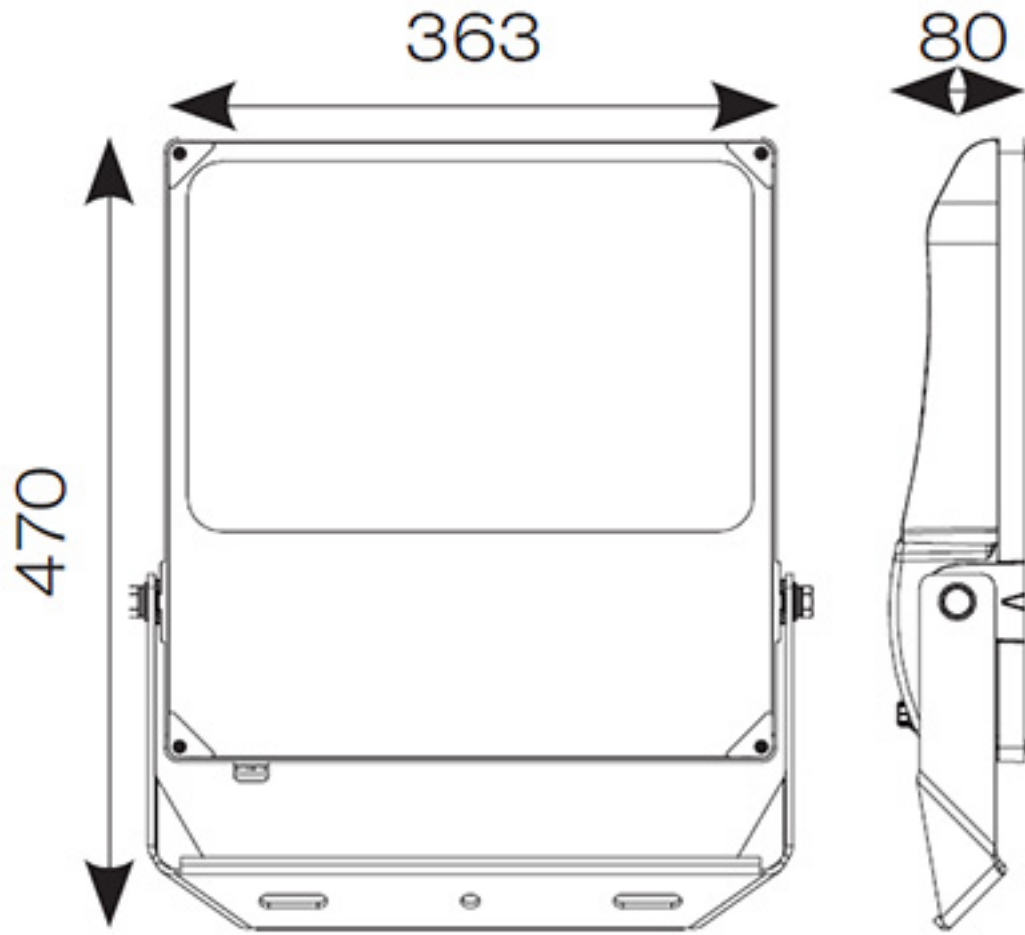
Lamp Type	LED
Photocell	Yes
IP Rating	IP66
IK Rating	IK08
Class Protection	1
Internal / External	External
Surface / Recessed / Suspended	Surface
Lifetime (Hrs)	L80 B10 54,000
Warranty (Years)	5
CE Mark	Yes
Width (mm)	363
Height (mm)	470
Depth (mm)	80

Technical Information

Wattage	300W
Lumens Delivered	44000lm
Lm/W	147lm
Beam Angle	115
CRI	Ra 70
CCT	5000K
Input	230V
Hertz	50/60Hz
Operating Temp	-30°C to 50°C
SDCM	5

Datasheet generated from <https://onetimepim.com> last updated Wednesday, June 15, 2022 8:50:35 AM





AAZCLED300