



ACYCLED2/WW

Cyclone LED Non-Corrosive 13W Warm White



Features

Slim and lightweight economic polycarbonate LED non-corrosive suitable for industrial applications

LED Performance allows point-to-point replacement of existing fluorescent luminaires

Quick and easy electrical connection without opening the luminaire

IK08 impact rating offers superior product durability

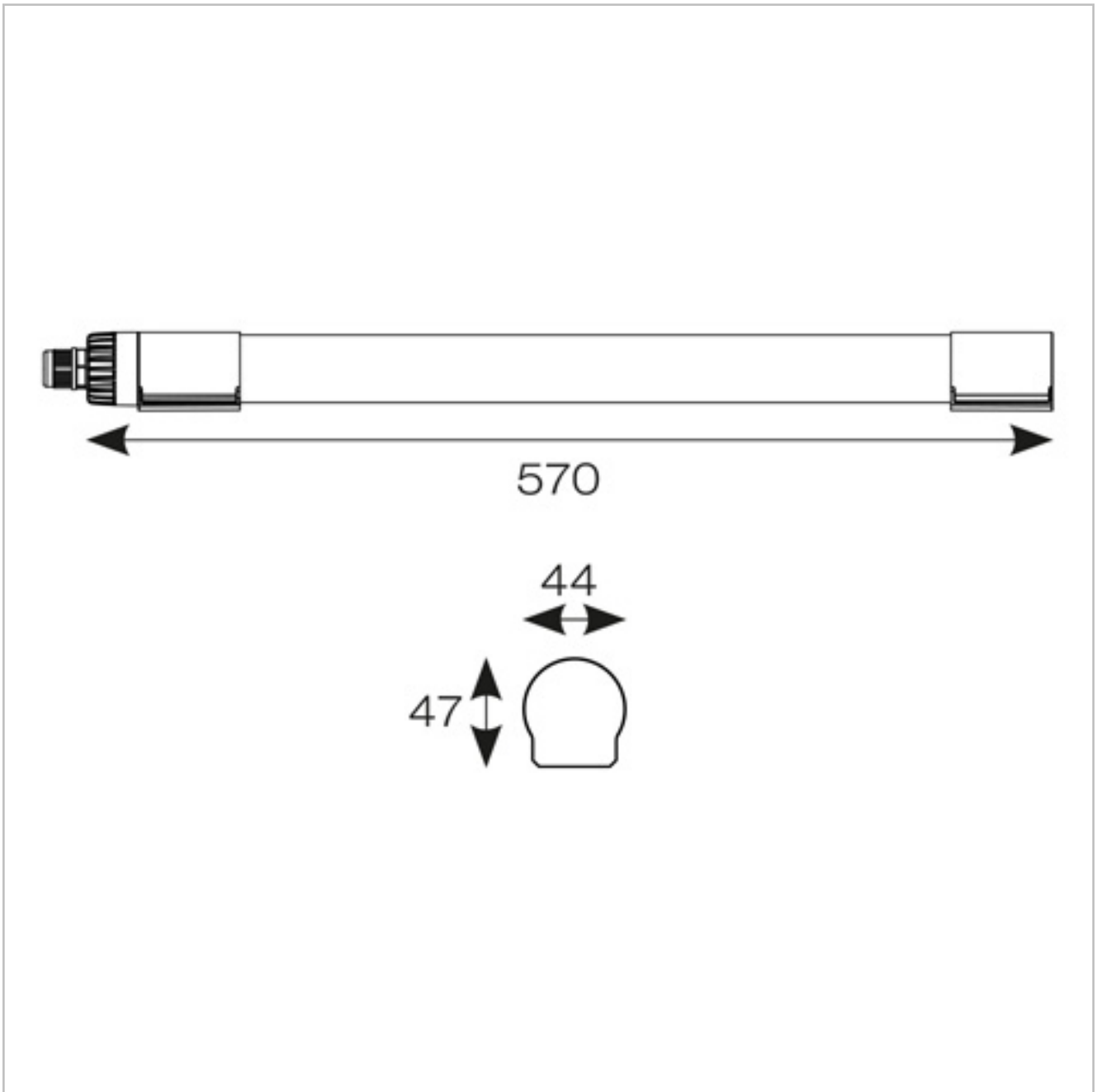
Non-dimmable

General Information

Lamp Type	LED
Colour / Finish	White
IP Rating	IP65
IK Rating	IK08
Class Protection	2
Internal / External	Internal / External
Surface / Recessed / Suspended	Surface
Lifetime (Hrs)	L80 B10 54,000
Warranty (Years)	2
CE Mark	Yes
Length (mm)	570
Width (mm)	44
Height (mm)	47

Technical Information

Wattage	13W
Lumens Delivered	1630lm
Lm/W	125lm
Beam Angle	360
CRI	Ra 80
CCT	3000K
Input	230V
Hertz	50Hz
Operating Temp	-20°C to 40°C
SDCM	6



Datasheet generated from <https://onetimepim.com> last updated Wednesday, June 15, 2022 8:56:17 AM



ACYCLED4/WW

Cyclone LED Non-Corrosive 25W Warm White



Features

Slim and lightweight economic polycarbonate LED non-corrosive suitable for industrial applications

LED Performance allows point-to-point replacement of existing fluorescent luminaires

Quick and easy electrical connection without opening the luminaire

IK08 impact rating offers superior product durability

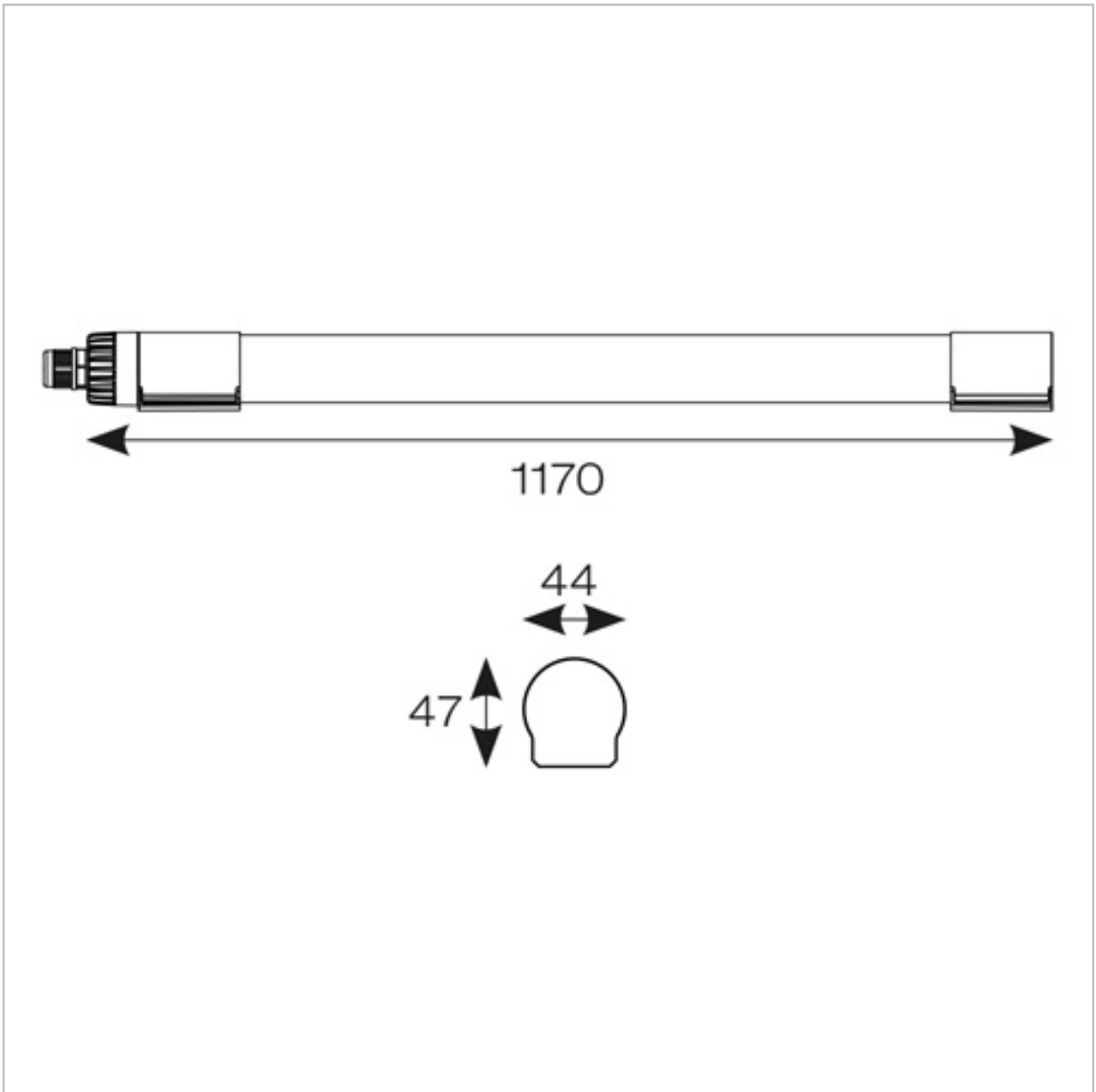
Non-dimmable

General Information

Lamp Type	LED
Colour / Finish	White
IP Rating	IP65
IK Rating	IK08
Class Protection	2
Internal / External	Internal / External
Surface / Recessed / Suspended	Surface
Lifetime (Hrs)	L80 B10 54,000
Warranty (Years)	2
CE Mark	Yes
Length (mm)	1170
Width (mm)	44
Height (mm)	47

Technical Information

Wattage	25W
Lumens Delivered	3010lm
Lm/W	120lm
Beam Angle	360
CRI	Ra 80
CCT	3000K
Input	230V
Hertz	50Hz
Operating Temp	-20°C to 40°C
SDCM	6



Datasheet generated from <https://onetimepim.com> last updated Wednesday, June 15, 2022 8:56:17 AM



ACYCLED5/WW

Cyclone LED Non-Corrosive 32W Warm White



Features

Slim and lightweight economic polycarbonate LED non-corrosive suitable for industrial applications

LED Performance allows point-to-point replacement of existing fluorescent luminaires

Quick and easy electrical connection without opening the luminaire

IK08 impact rating offers superior product durability

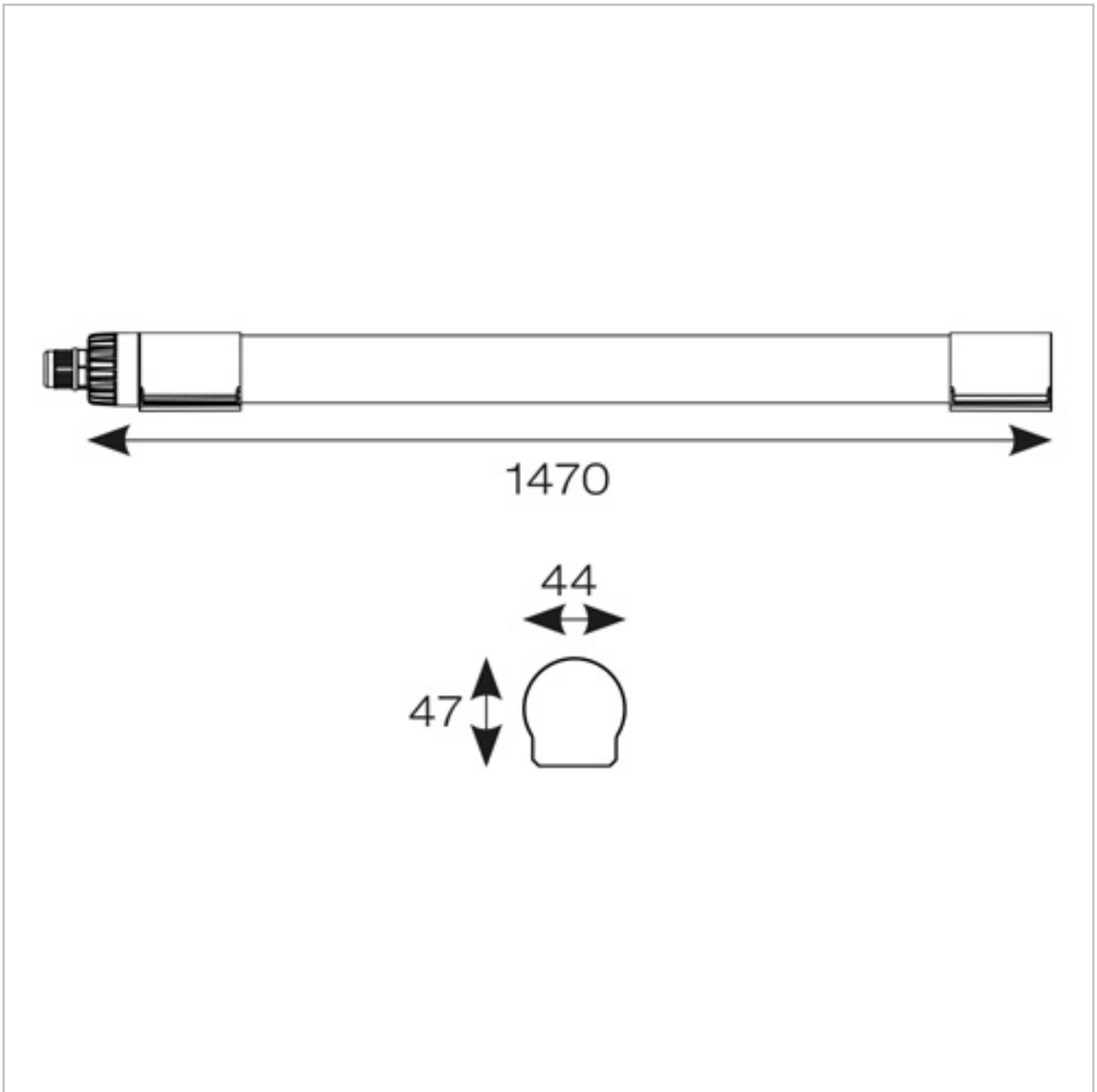
Non-dimmable

General Information

Lamp Type	LED
Colour / Finish	White
IP Rating	IP65
IK Rating	IK08
Class Protection	2
Internal / External	Internal / External
Surface / Recessed / Suspended	Surface
Lifetime (Hrs)	L80 B10 54,000
Warranty (Years)	2
CE Mark	Yes
Length (mm)	1470
Width (mm)	44
Height (mm)	47

Technical Information

Wattage	32W
Lumens Delivered	4240lm
Lm/W	133lm
Beam Angle	360
CRI	Ra 80
CCT	3000K
Input	230V
Hertz	50Hz
Operating Temp	-20°C to 40°C
SDCM	6



Datasheet generated from <https://onetimepim.com> last updated Wednesday, June 15, 2022 8:56:17 AM



ACYCLED4/CW

Cyclone LED Non-Corrosive 25W Cool White



Features

Slim and lightweight economic polycarbonate LED non-corrosive suitable for industrial applications

LED Performance allows point-to-point replacement of existing fluorescent luminaires

Quick and easy electrical connection without opening the luminaire

IK08 impact rating offers superior product durability

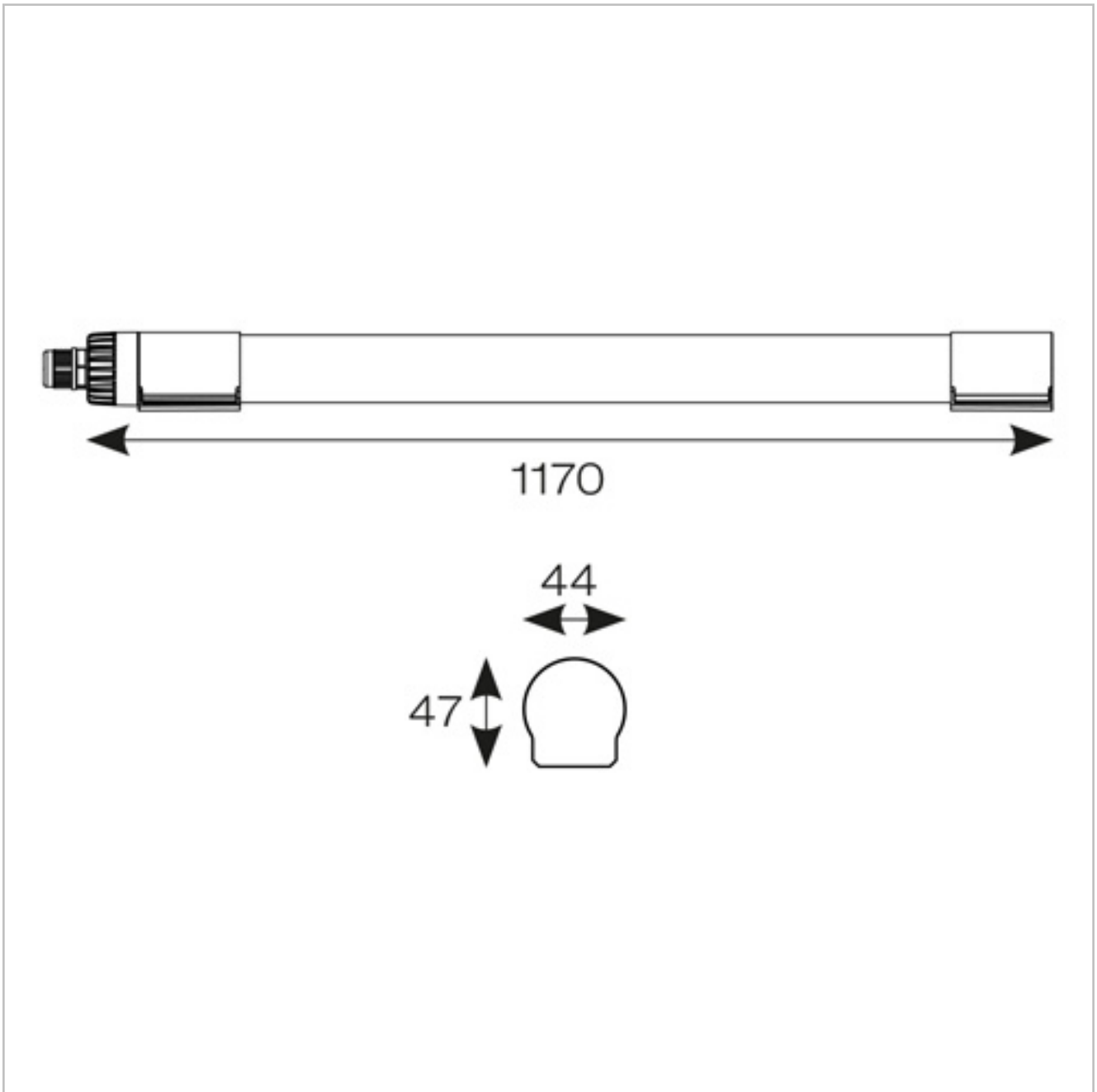
Non-dimmable

General Information

Lamp Type	LED
Colour / Finish	White
IP Rating	IP65
IK Rating	IK08
Class Protection	2
Internal / External	Internal / External
Surface / Recessed / Suspended	Surface
Lifetime (Hrs)	L80 B10 54,000
Warranty (Years)	2
CE Mark	Yes
Length (mm)	1170
Width (mm)	44
Height (mm)	47

Technical Information

Wattage	25W
Lumens Delivered	3140lm
Lm/W	125lm
Beam Angle	360
CRI	Ra 80
CCT	4000K
Input	230V
Hertz	50Hz
Operating Temp	-20°C to 40°C
SDCM	6



Datasheet generated from <https://onetimepim.com> last updated Wednesday, June 15, 2022 8:56:17 AM



ACYCLED5/CW

Cyclone LED Non-Corrosive 32W Cool White



Features

Slim and lightweight economic polycarbonate LED non-corrosive suitable for industrial applications

LED Performance allows point-to-point replacement of existing fluorescent luminaires

Quick and easy electrical connection without opening the luminaire

IK08 impact rating offers superior product durability

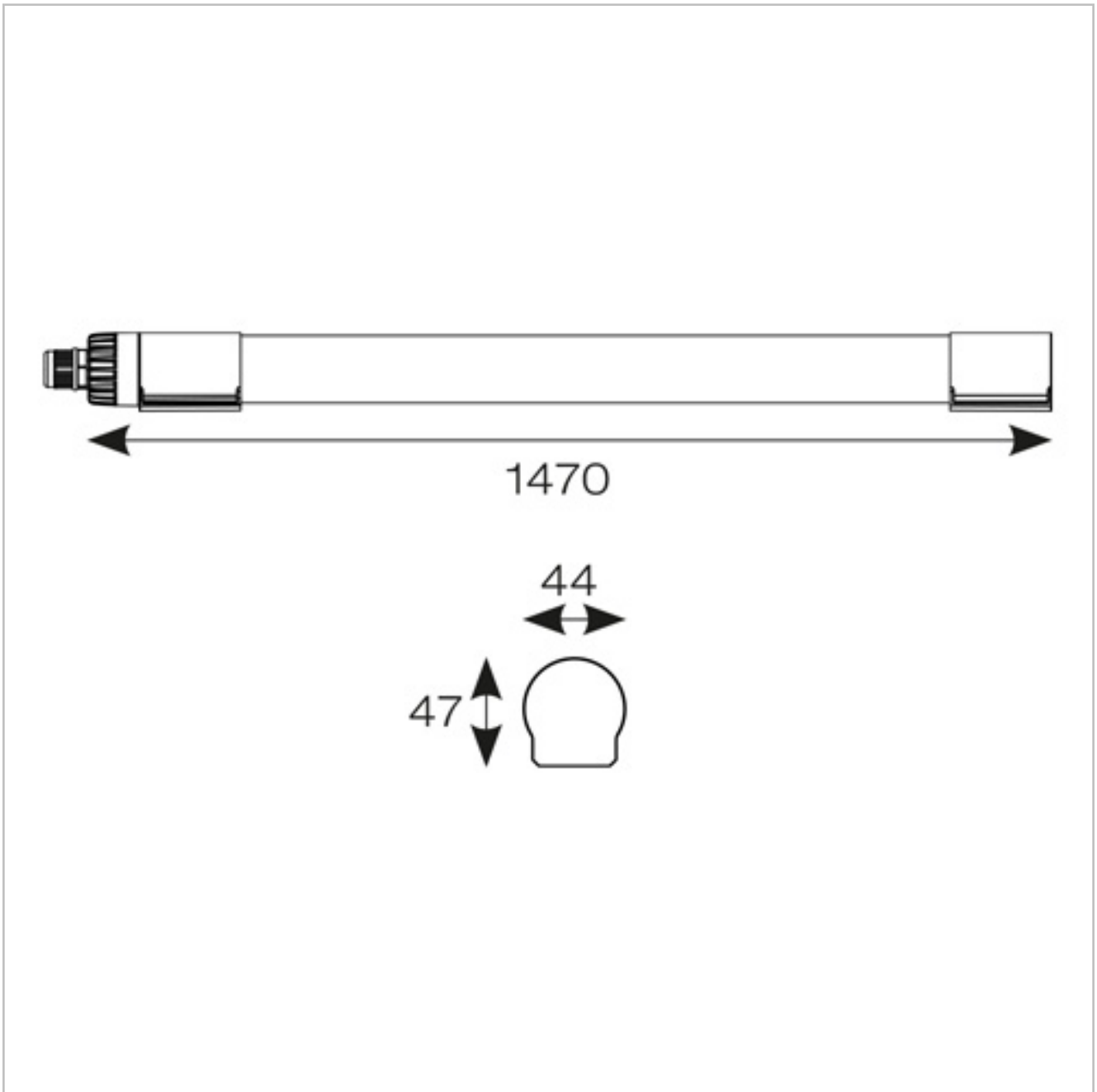
Non-dimmable

General Information

Lamp Type	LED
Colour / Finish	White
IP Rating	IP65
IK Rating	IK08
Class Protection	2
Internal / External	Internal / External
Surface / Recessed / Suspended	Surface
Lifetime (Hrs)	L80 B10 54,000
Warranty (Years)	2
CE Mark	Yes
Length (mm)	1470
Width (mm)	44
Height (mm)	47

Technical Information

Wattage	32W
Lumens Delivered	4360lm
Lm/W	136lm
Beam Angle	360
CRI	Ra 80
CCT	4000K
Input	230V
Hertz	50Hz
Operating Temp	-20°C to 40°C
SDCM	6



Datasheet generated from <https://onetimepim.com> last updated Wednesday, June 15, 2022 8:56:17 AM