



AERGO/WW

Ergo Eco Fixed Downlight 5W 3000K



Features

Compact polycarbonate LED downlight suitable for residential applications

IP44 rating as standard allows for a range of installation applications

Low profile design with integral driver with loop-in, loop-out terminals for ease and speed of installation

Supplied pre-wired with 200mm of cable

Triac dimmable as standard

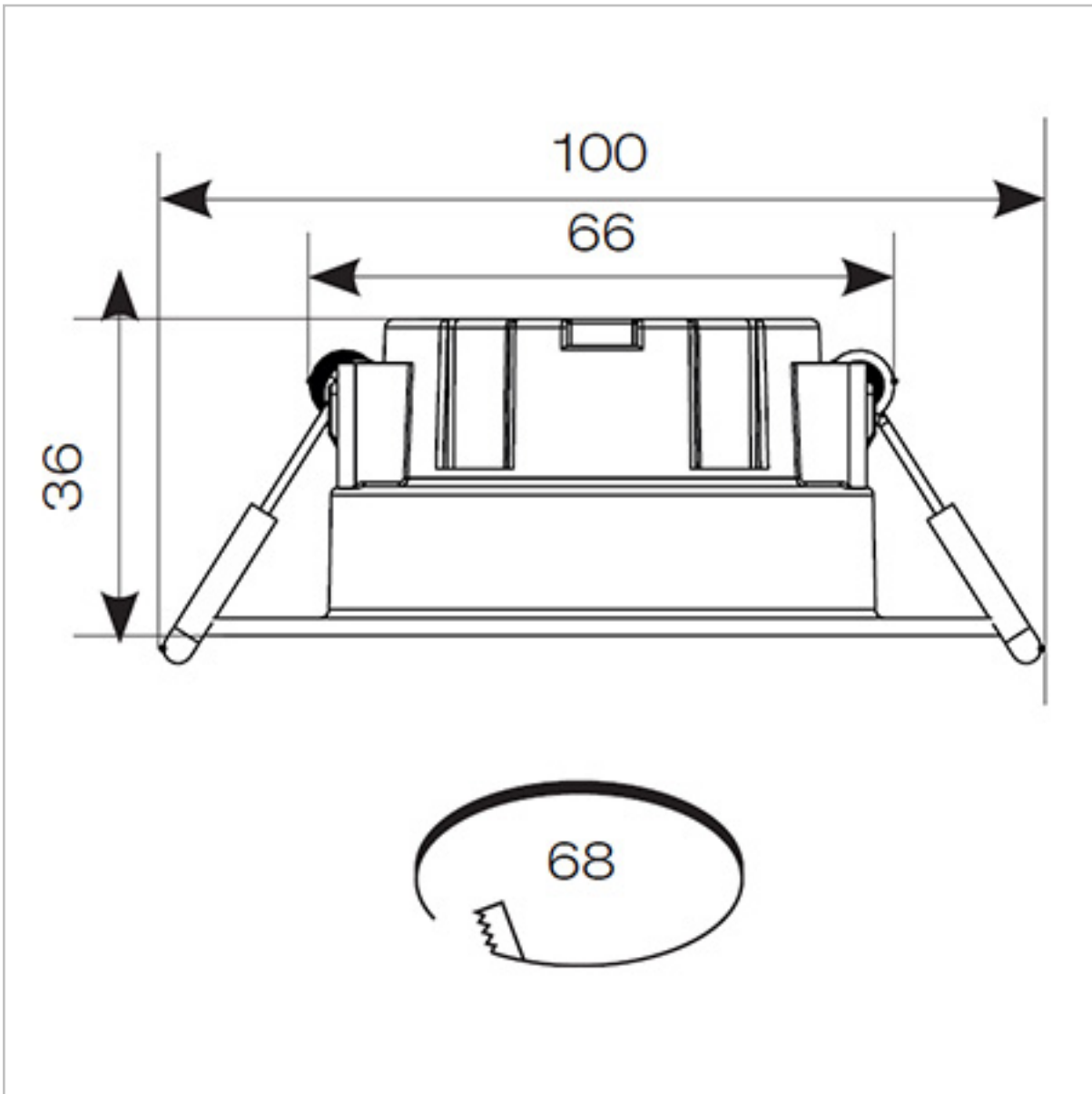
General Information

Lamp Type	LED
IP Rating	IP44
Class Protection	2
Internal / External	Internal
Surface / Recessed / Suspended	Recessed
Lifetime (Hrs)	L70 25,000
Warranty (Years)	2
Length (mm)	100
Height (mm)	36

Technical Information

Wattage	5W
Lumens Delivered	590lm
Lm/W	118lm
Beam Angle	40
CRI	Ra 80
CCT	3000K
Input	220/240V
Hertz	50/60Hz
Operating Temp	-20°C - 40°C
SDCM	6
UGR	26

Datasheet generated from <https://onetimepim.com> last updated Tuesday, July 5, 2022 2:23:11 PM





AERGO/DL

Ergo Eco Fixed Downlight 5W 6500K



Features

Compact polycarbonate LED downlight suitable for residential applications

IP44 rating as standard allows for a range of installation applications

Low profile design with integral driver with loop-in, loop-out terminals for ease and speed of installation

Supplied pre-wired with 200mm of cable

Triac dimmable as standard

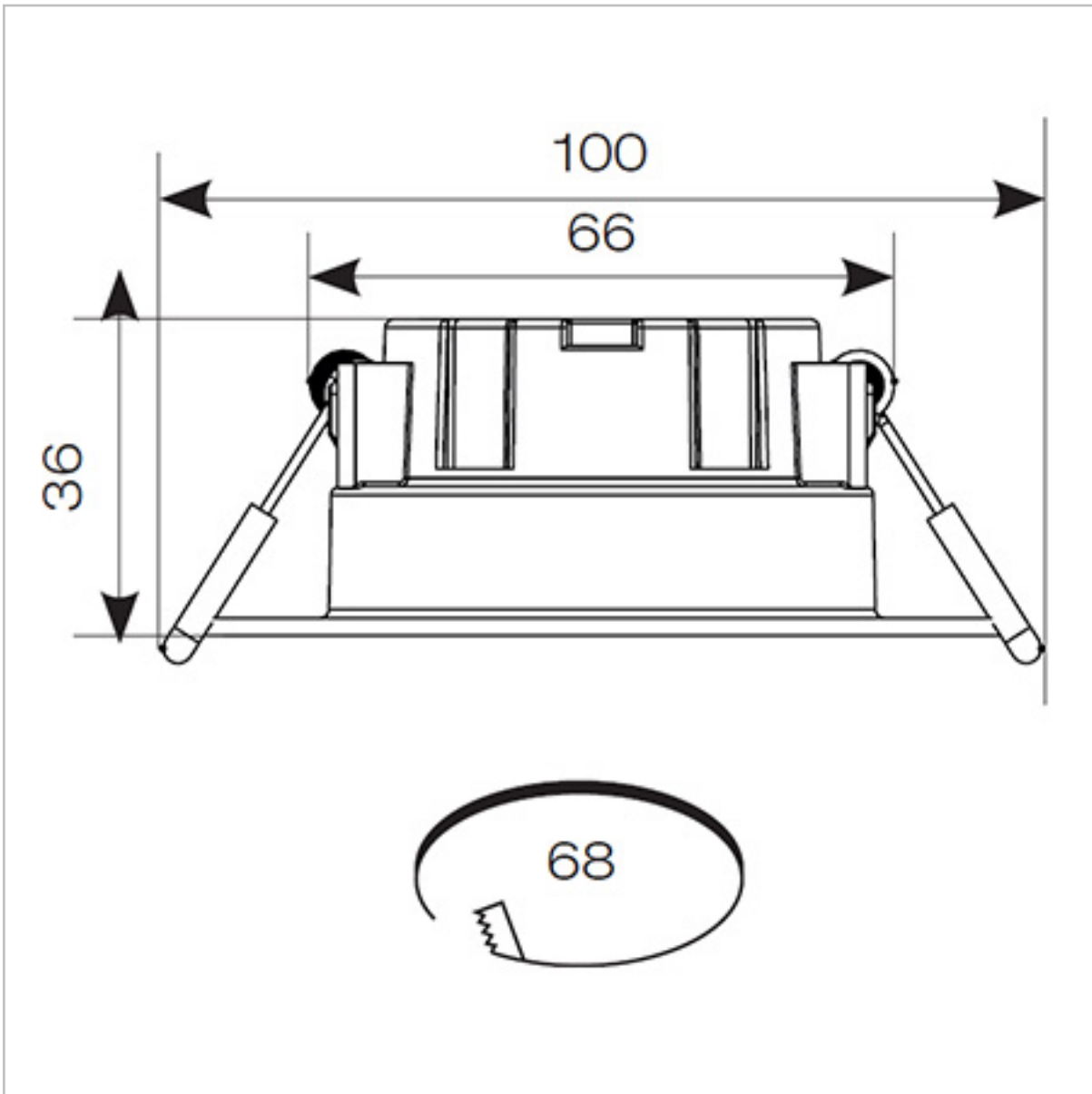
General Information

Lamp Type	LED
IP Rating	IP44
Class Protection	2
Internal / External	Internal
Surface / Recessed / Suspended	Recessed
Lifetime (Hrs)	L70 25,000
Warranty (Years)	2
Length (mm)	100
Height (mm)	36

Technical Information

Wattage	5W
Lumens Delivered	600lm
Lm/W	120lm
Beam Angle	40
CRI	Ra 80
CCT	6500K
Input	220/240V
Hertz	50/60Hz
Operating Temp	-20°C - 40°C
SDCM	6
UGR	26

Datasheet generated from <https://onetimepim.com> last updated Tuesday, July 5, 2022 2:23:11 PM





AERGO/CW

Ergo Eco Fixed Downlight 5W 4000K



Features

Compact polycarbonate LED downlight suitable for residential applications

IP44 rating as standard allows for a range of installation applications

Low profile design with integral driver with loop-in, loop-out terminals for ease and speed of installation

Supplied pre-wired with 200mm of cable

Triac dimmable as standard

General Information

Lamp Type	LED
IP Rating	IP44
Class Protection	2
Internal / External	Internal
Surface / Recessed / Suspended	Recessed
Lifetime (Hrs)	L70 25,000
Warranty (Years)	2
Length (mm)	100
Height (mm)	36

Technical Information

Wattage	5W
Lumens Delivered	590lm
Lm/W	118lm
Beam Angle	40
CRI	Ra 80
CCT	4000K
Input	220/240V
Hertz	50/60Hz
Operating Temp	-20°C - 40°C
SDCM	6
UGR	26

Datasheet generated from <https://onetimepim.com> last updated Tuesday, July 5, 2022 2:23:11 PM

