



## AHPTLED/1

Helix LED CCT Post Top - 40W Cool White/Warm White



## Features

Modern die-cast aluminium post top lantern Ideal for large car parks and large open areas

CCT selectable between 3000K and 4000K

Electrostatic paint finish for enhanced corrosion resistance

Advanced lens technology providing optimum performance and control.

Suitable for residential and commercial use

76mm spigot bracket

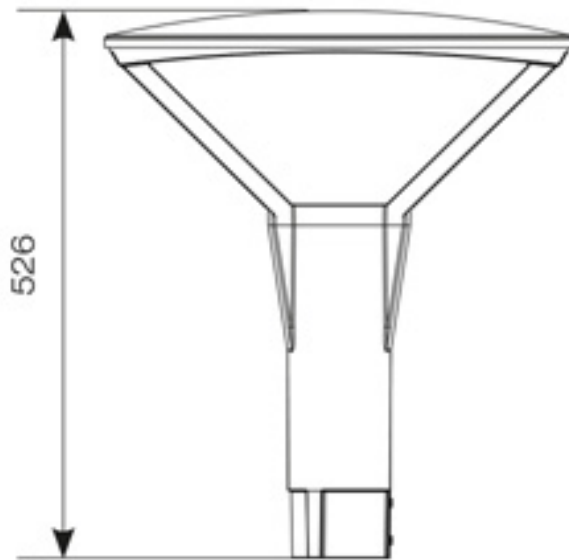
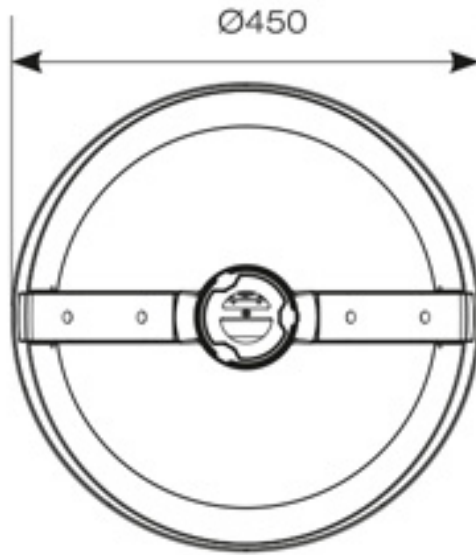
## General Information

Lamp Type	LED
IP Rating	IP66
IK Rating	IK08
Class Protection	1
Internal / External	External
Lifetime (Hrs)	L70 B10 54,000
Warranty (Years)	5
CE Mark	Yes
Diameter (mm)	450
Height (mm)	526
Accessories	AHPTLED/60SBA

## Technical Information

Wattage	40W
Lumens Delivered	4750lm (4000K)
Lm/W	116lm (4000K)
Beam Angle	145
CRI	Ra 70
CCT	3000/4000K
Input	230V
Hertz	50/60Hz
Operating Temp	-30°C to 50°C
SDCM	5

Datasheet generated from <https://onetimepim.com> last updated Wednesday, June 15, 2022 8:56:14 AM



## AHPTLED/2

Helix LED CCT Post Top - 75W Cool White/Warm White



## Features

Modern die-cast aluminium post top lantern Ideal for large car parks and large open areas

CCT selectable between 3000K and 4000K

Electrostatic paint finish for enhanced corrosion resistance

Advanced lens technology providing optimum performance and control.

Suitable for residential and commercial use

76mm spigot bracket

## General Information

Lamp Type	LED
IP Rating	IP66
IK Rating	IK08
Class Protection	1
Internal / External	External
Lifetime (Hrs)	L70 B10 54,000
Warranty (Years)	5
CE Mark	Yes
Diameter (mm)	450
Height (mm)	526
Accessories	AHPTLED/60SBA

## Technical Information

Wattage	75W
Lumens Delivered	8500lm (4000K)
Lm/W	114lm (4000K)
Beam Angle	145
CRI	Ra 70
CCT	3000/4000K
Input	230V
Hertz	50/60Hz
Operating Temp	-30°C to 50°C
SDCM	5

Datasheet generated from <https://onetimepim.com> last updated Wednesday, June 15, 2022 8:56:14 AM

