

ALEOLED/WL

Leo CCT Wall Lantern 8W



Features

Modern styled wall lantern with polycarbonate construction suitable for commercial and residential applications

White reflector with clear polycarbonate diffuser

Polycarbonate construction is ideal for coastal applications

PIR option for convenience and security. Incorporates manual override option

CCT selectable between 3000K and 4000K

Non-dimmable

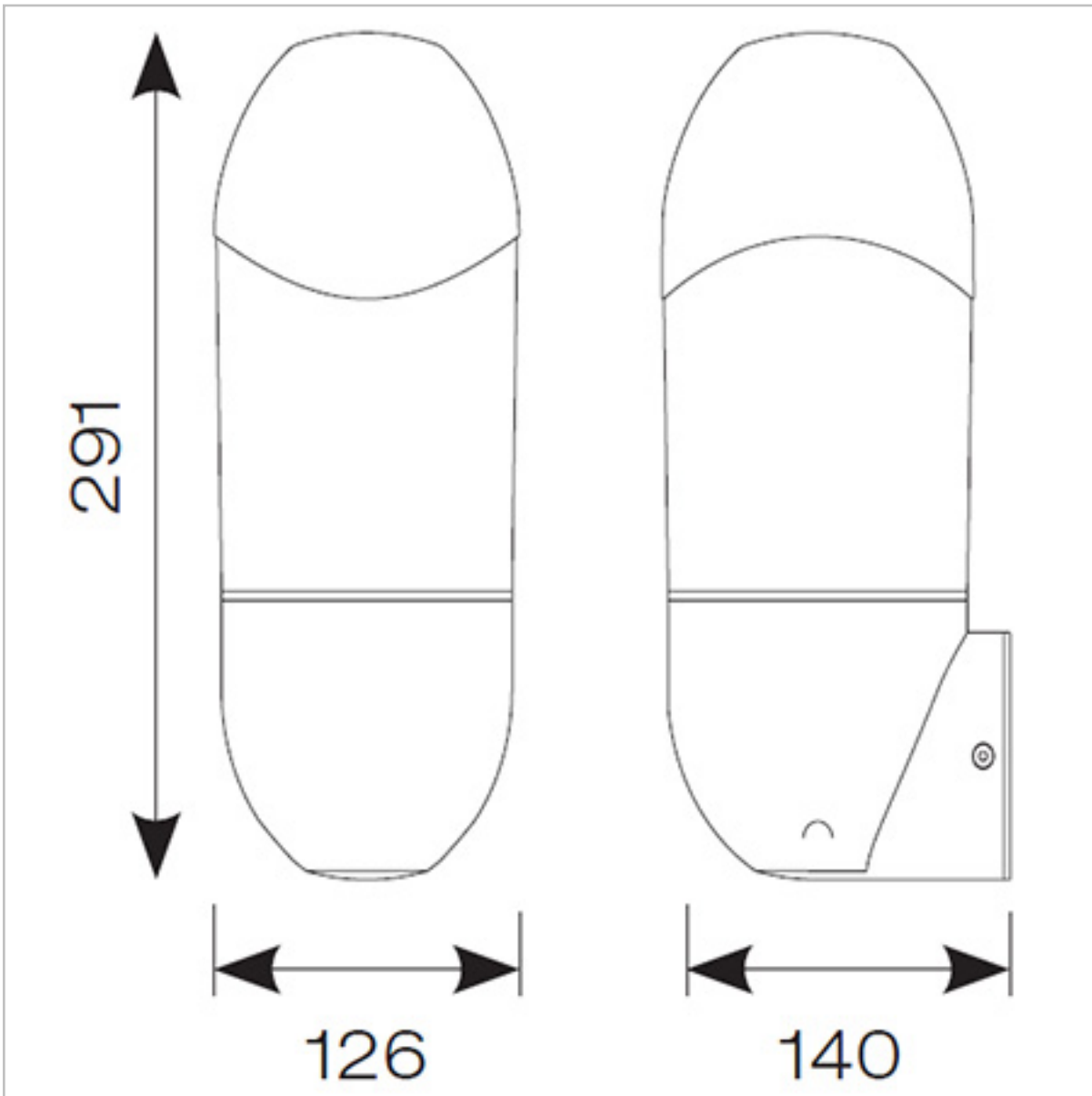
General Information

IP Rating	IP65
IK Rating	IK06
Class Protection	2
Internal / External	External
Surface / Recessed / Suspended	Surface
Lifetime (Hrs)	L70 54,000
Warranty (Years)	3
Width (mm)	126
Height (mm)	291
Depth (mm)	140

Technical Information

Wattage	8W
Lumens Delivered	450lm (4000K)
Lm/W	56lm (4000K)
Beam Angle	130
CRI	Ra 80
CCT	3000K/4000K
Input	220/240V
Hertz	50Hz
Operating Temp	-10°C to 40°C
SDCM	6

Datasheet generated from <https://onetimepim.com> last updated Tuesday, July 5, 2022 2:23:14 PM





ALEOLED/WL/PIR

Leo CCT Wall Lantern with PIR 8W



Features

Modern styled wall lantern with polycarbonate construction suitable for commercial and residential applications

White reflector with clear polycarbonate diffuser

Polycarbonate construction is ideal for coastal applications

PIR option for convenience and security. Incorporates manual override option

CCT selectable between 3000K and 4000K

Non-dimmable

General Information

IP Rating	IP65
IK Rating	IK06
Class Protection	2
Internal / External	External
Surface / Recessed / Suspended	Surface
Lifetime (Hrs)	L70 54,000
Warranty (Years)	3
Width (mm)	126
Height (mm)	291
Depth (mm)	140

Technical Information

Wattage	8W
Lumens Delivered	450lm (4000K)
Lm/W	56lm (4000K)
Beam Angle	130
CRI	Ra 80
CCT	3000K/4000K
Input	220/240V
Hertz	50Hz
Operating Temp	-10°C to 40°C
SDCM	6

Datasheet generated from <https://onetimepim.com> last updated Tuesday, July 5, 2022 2:23:14 PM

