



ADILED1

Disco LED - 8W Cool White - White / Opal



Features

All polycarbonate construction with opal diffuser and white trim ring.

LED performance exceeds CFL equivalents.

Two options of microwave sensor emergency.

/MWS/M3/CF provides CorridorFUNCTION with Tridonic control gear.

Instant light output and unlimited switching.

LED lifespan L70 56,000 hours.

General Information

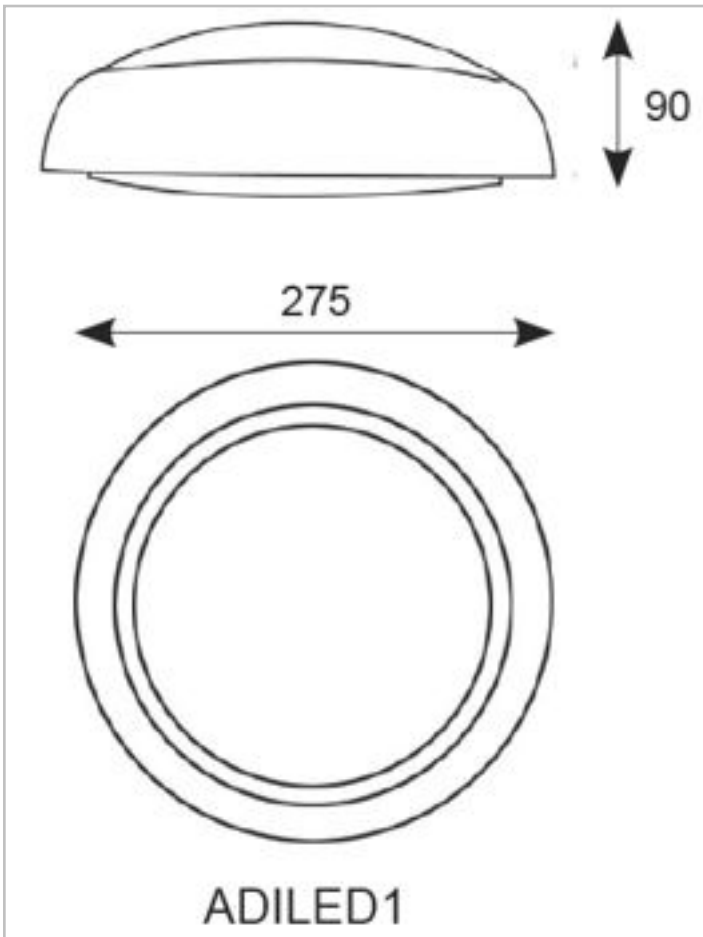
Lamp Type	LED
Colour / Finish	White / Opal
IP Rating	IP65
Class Protection	1
Bathroom Zone	2
Internal / External	Internal/External
Surface / Recessed / Suspended	Surface
Warranty (Years)	5
CE Mark	Yes
Diameter (mm)	275
Depth (mm)	90
Accessories	ADI16BZ/BR, ADI16BZ/CH, ADI16BZ/SG

Technical Information

Wattage	8W
Lumens Delivered	539lm
Lm/W	67lm
CRI	Ra 70
CCT	4000K
Input	230V
Hertz	50/60Hz
Operating Temp	-10°C to 25°C

Technical Data - ETIM - Ceiling-/wall luminaire (EC002892)

Suitable for wall mounting	Yes
Suitable for suspended mounting	No
Suitable for ceiling mounting	Yes
Suitable for built-in mounting	No
Suitable for surface mounting	Yes
With light source	Yes
Suitable for number of lamps	1
Material housing	Plastic
Colour housing	White
Nominal voltage	230-230 V
Control gear included	Yes
Degree of protection (IP)	IP65
Protection class	I
Suitable for emergency lighting	No
With movement sensor	No
With light sensor	No
Max. system power	8 W
Rated luminous flux acc. IEC 62722-2-1	539 lm
Colour of light	White
Colour temperature	4000-4000 K
Colour rendering index CRI	70-79
Luminaire efficacy	67 lm/W
Height/depth	90 mm
Length	275 mm



Datasheet generated from <https://onetimepim.com> last updated Tuesday, December 1, 2020 9:48:15 AM