

INCEPTOR® RIO

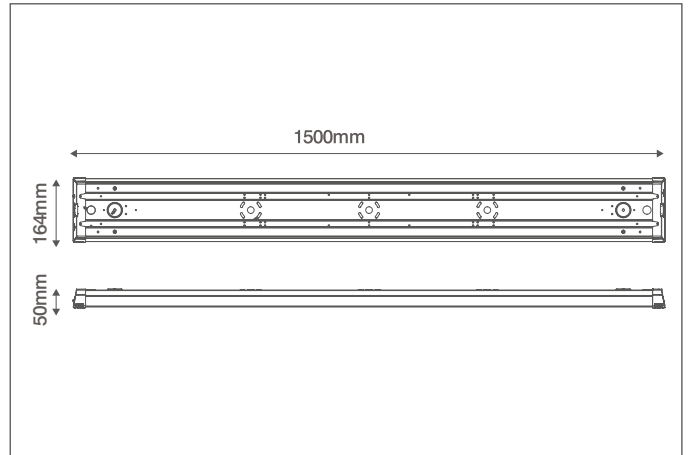
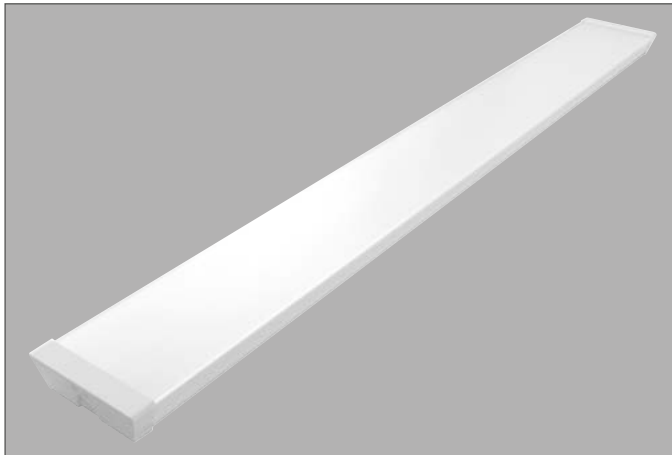
Technical Specification



Product Code: **OXR540**

Luckinslive **436166602**

Description: 23-40W 1500mm Linear Batten LED Luminaire



General Information

| | |
|---------------------|---|
| Dimensions (mm) | 1500 (L) x 164 (W) x 50 (D) |
| Materials | Base: Powder Coated Steel; Opaque Diffuser: Polycarbonate |
| Colour | (RAL9003) |
| Base Finish | White |
| Product Weight (Kg) | 2.84 |
| Ingress Protection | IP20, IP44 (if ceiling mounted) |
| Impact Rating (IK) | 06 |
| Mounting | Ceiling or Wall |
| Warranty (Years) | 5 |
| On Site Warranty | 1 Year Unregistered, 2 Year Registered (https://oviauk.com/on_site_warranty) |

Luminaire Output

| | | | | |
|-------------------------------|------------------|------|------|------|
| LED Wattage | 23 | 29 | 34 | 40 |
| Circuit Wattage | 23 | 29 | 34 | 40 |
| Typical Luminous Flux (3000K) | 2760 | 3480 | 4080 | 4800 |
| Typical Luminous Flux (4000K) | 2875 | 3625 | 4250 | 5000 |
| Typical Luminous Flux (6000K) | 2760 | 3480 | 4080 | 4800 |
| Efficacy (3000K) | 120 | 120 | 120 | 120 |
| Efficacy (4000K) | 125 | 125 | 125 | 125 |
| Efficacy (6000K) | 120 | 120 | 120 | 120 |
| Beam Angle (°) | 90 | | | |
| Colour Temperatures (K) | 3000, 4000, 6000 | | | |
| Flicker Free | Yes | | | |
| Colour Rendering Index (CRI) | 80 | | | |
| Unified Glare Rating (UGR) | <19 | | | |
| LED Lifetime (L70) | 100000 | | | |

Supply & Power Information

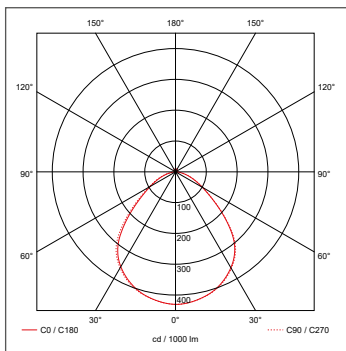
| | |
|--|--------------------|
| Continuous Operating Voltage (AC) (Hz) | 220-240 (50/60) |
| Safety Class | I |
| Circuit Wattage (W) | 23/29/34/40 |
| Input Current (A) | 200 |
| Inrush Current | 18A (185uS) |
| Power Factor | >0.9 |
| Output Current (mA) | 200/250/300/350 |
| Efficiency (%) | 91 |
| Operating Temperature (°C) | -20 to +40 |
| Maximum Critical Temperature (°C) | 90 |
| Input Terminations | Push-fit Terminals |

Dimming Information

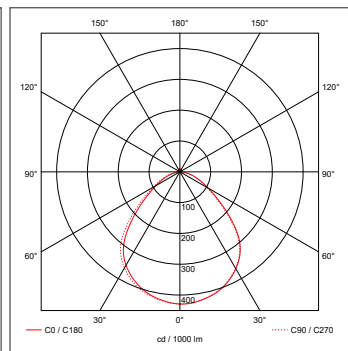
| | |
|----------|----|
| Dimmable | No |
|----------|----|

Compatible Accessories

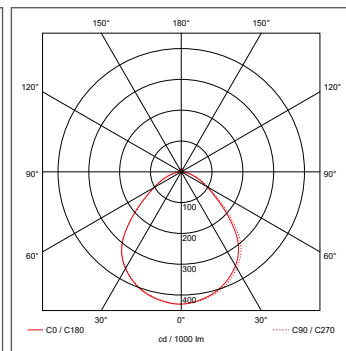
OSUSY15 - 2 x Y Shaped Suspension Cable for Linear luminaires



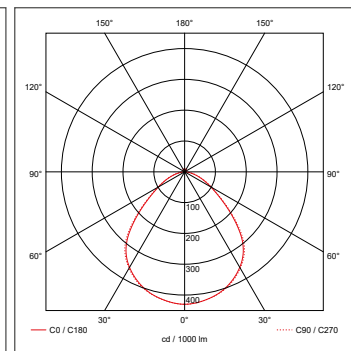
23W



29W



34W



40W



OVIA Limited, Scolmore House, Mariner, Lichfield Road Industrial Estate,
Tamworth, Staffordshire, B79 7UL United Kingdom
T: +44 (0)1827 300640
E: sales@oviaUK.com | W: oviaUK.com



Catalogue



Section



DoC



Installation

