

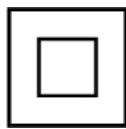
JC47440WH

Starscoop Linear

Starscoop 40W LED Rectangular Wall Wash - CoB - 120° beam angle 4000K
IP20

Features & Benefits

- Durable die cast aluminium construction
- Highly efficient
- 101 lumens per circuit Watt
- Lifelong consistent colour temperature and rendering
- 120° beam angle for wider light distribution
- 45° tiltable



General Information

Mounting	Recessed
Trade Name	Starscoop
Environment	Indoor
Suitable For Zones	Outside zone 2
Product Group	LED - Recessed
Color Finish	White
Product Shape	Rectangular
Product Range	Starscoop™
Recommended Fire Hood	JC93005
Overall Dimensions	235 x 145 x 117.4mm
Length (mm)	235
Width (mm)	145
Depth (mm)	117.4
Product Weight(kg)	2.4
Light Source	LED
Light Source Features	Crisp White
Recommended Product Location	Retail applications
Minimum Void Requirement	150mm

Method Of Fix	Recessed Mounted
Product Aperture Size	220 x 130mm
Max Angle Of Tilt & Rotation	90° Tilt only
IP Rating	IP20
Origin of manufacturer	PRC
Warranty	5 Year Warranty (See Website for terms and conditions)
Driver Manufacturer	Eaglerise
LED Manufacturer/Type	China Chip/Topsion
Lighting Product Type 1	Recessed
Customs Tariff code**	9405421000

Electrical

Voltage Rating	220-240
Primary Running Current(Amp)	1.4
Operating Frequency Hz	50/60Hz
Secondary running current(mA)	750-1000
Constant Current or Constant Voltage	CC
Luminaire Circuit Wattage	40
Class	II
Output Voltage Max/Range (VDC)	80-130
Total Harmonic Distortion (THD)%	12
EMC Compliant (EN55015)	yes
Power Factor Correction	0.9
Input Electrical Connections	Live(L)Neutral(N)
Dimmable	No

Thermals

Thermal Cut Out	yes, auto recovery
Insulation Coverage	no
Minimum Void Requirement	150mm
Operating Temperature Range °C	-30 to +60

Performance Data

LED Life (Hours)*	36000
Energy Rating	This product contains a light source of energy efficiency class E
Actual Lumen Output	4050
Lumens Per Circuit Watt	101
Color Rendering Index	80-89
CRI: Ra	80
Correlated Color Temperature	5700K
Beam Angle °	120
LOR (Light Output Ratio) %	100
Photometry Available	Yes

Construction

Primary Material

Aluminium

Lens

Glass

Heat Sink

Aluminium

Driver Housing

Aluminium

Seal Material

Silicone rubber

Packaging

Product Packaged Weight(kg)

2.65

Quantity Per Outer Carton

1

Product Bar Code EAN-13 Number

5052544078842

Standards & Approvals

Manufactured In Accordance To

BS 60598-2-5

CE Marked

Yes

UKCA Marked

Yes

Date code/Purchase order No.

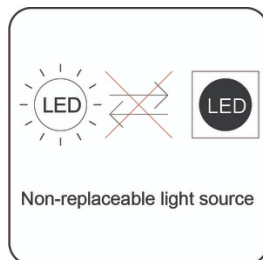
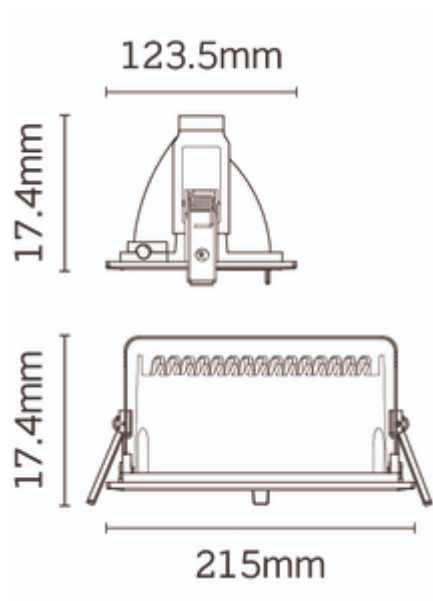
Yes

Certificate Of Conformity

Available on request

Accredited Members

LIA, ISO9001-2015, ISO14001-2015



*Hours life stated is an indication of expected L70 chip and light output calculations when operating in optimum conditions. Product warranty period supports the full product during the term given. The L70 hours expectancy is not correlated with the full product warranty term, nor is it a representation of

lumen depreciation during the warranty period.

**JCC Lighting Limited makes every effort to ensure that the Customs Tariff information in this document is timely and accurate. However, it's not possible for us to assure the absolute veracity and completeness of that information, as errors may occur. The placement of any inaccurate tariff information is completely unintentional. JCC Lighting Limited reserves the right, in its sole discretion, to correct any errors or omissions to the tariff code and to make any and all changes contained in this document at any time and without notice. It is the sole responsibility of the importer to ensure that the commodity code advised is correct for the products/goods being supplied by JCC Lighting Limited. JCC Lighting Limited does not assume any liabilities, losses, costs, and expenses arising out of or related to the importers use of this commodity code or the information related to the import of any JCC Lighting products.

JCC Lighting LTD, Lux Park, Chichester Business Park, City Fields Way, Tangmere, Chichester, West Sussex, PO20 2FT.

Sales: 01243 838999 (8am to 5pm Monday to Friday) Fax: 01243 838998 | sales@jcc.co.uk | www.jcc.co.uk

Company Registration Number: 03044848 | VAT Number: 918544112

This document is uncontrolled if printed, all information is subject to change

Version 100 [17/08/2023]