

# JC54300

## Commercial Downlight

18W LED Downlight IP54 4000K Non dim 60° Ø120-130 cut out

### Features & Benefits

- High efficiency up to 113 Lumens per circuit Watt
- Quick and easy retrofit
- Zero maintenance
- no need to relamp
- CRI 80
- ideal for retail applications



CRI:RA



WARRANTY



RATING



BEAM



CLASS II

### General Information

Mounting

Environment

Suitable For Zones

Product Group

Product Range

Trade Name

Color Finish

Product Shape

Product Weight(kg)

Overall Dimensions

Light Source

Light Source Features

Additional Information

Recommended Product Location

Minimum Void Requirement

Method Of Fix

Distance From Lighted Object

**Recessed**

**Indoor**

**Zone 2**

**LED - Recessed**

**LED commercial downlight**

**Commercial**

**White**

**Round**

**0.65**

**Ø145x65mm**

**LED**

**Neutral White**

**Suitable for use with JCEM001 Remote pack and JCEM001ST**

**Self test remote pack**

**Commercial and retail applications**

**150mm**

**spring clips**

**0.3m**

Product Aperture Size	<b>130mm</b>
IP Rating	<b>IP54</b>
Origin of manufacturer	<b>Made in China</b>
Warranty	<b>2 years standard warranty extends to 5 years when registered within the first year of purchase (See Website for terms and conditions)</b>
Driver Manufacturer	<b>Lifud</b>
LED Manufacturer/Type	<b>Citizen COB</b>
Lighting Product Type 1	<b>Downlight</b>

## Electrical

Voltage Rating	<b>220-240</b>
Primary Running Current(Amp)	<b>0.1</b>
Operating Frequency Hz	<b>50/60Hz</b>
Secondary running current(mA)	<b>400</b>
Constant Current or Constant Voltage	<b>CC</b>
Luminaire Circuit Wattage	<b>18</b>
Class	<b>II</b>
Output Voltage Max/Range (VDC)	<b>25-40</b>
Total Harmonic Distortion (THD)%	<b>0.2</b>
EMC Compliant (EN55015)	<b>Yes</b>
Input Electrical Connections	<b>Live(L) Neutral(N) double insulated, no earth required</b>
Dimmable	<b>No</b>

## Thermals

Max Driver/Ballast Ambient Temp.	<b>from -20°C to 45°C</b>
Thermal Cut Out	<b>yes, auto recovery</b>
Insulation Coverage	<b>do not cover</b>
Minimum Free Air Space	<b>100mm above and 50mm to sides</b>
Minimum Void Requirement	<b>150mm</b>
Operating Temperature Range °C	<b>-20 to +45</b>

## Performance Data

LED Life (Hours)	<b>50000</b>
------------------	--------------

Hours life stated is an indication of expected L70 chip and light output calculations when operating in optimum conditions. Product warranty period supports the full product during the term given. The L70 hours expectancy is not correlated with the full product warranty term, nor is it a representation of lumen depreciation during the warranty period.

Energy Rating	<b>This product contains a light source of energy efficiency class E</b>
Actual Lumen Output	<b>1960</b>
Lumens Per Circuit Watt	<b>109</b>
Color Rendering Index	<b>80-89</b>
CRI: Ra	<b>80</b>
Correlated Color Temperature	<b>4000K</b>
Beam Angle °	<b>60</b>

LOR (Light Output Ratio) % **100**

## Controls and Sensors

Overload Protection **Yes**

## Construction

Primary Material **Aluminium**

Heat Sink **Aluminium**

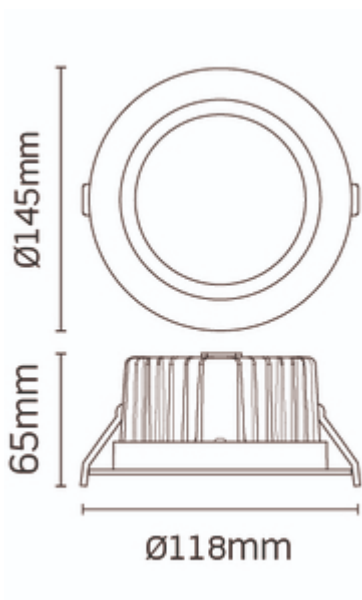
Seal Material **Silicon**

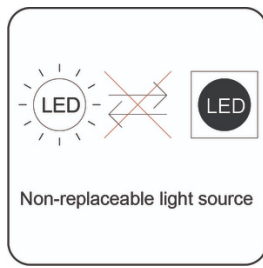
## Packaging

Product Packaged Weight(kg)	<b>0.8</b>
Quantity Per Outer Carton	<b>20</b>
Outer carton(L)- cm	<b>35</b>
Outer carton(W)- cm	<b>33</b>
Outer carton(H)- cm	<b>59</b>
Outer carton Net weight- kg	<b>21.40kg</b>
Outer carton Gross weight- kg	<b>22.38kg</b>
Product Bar Code EAN-13 Number	<b>5052544081859</b>
Outer carton Bar Code ITF-14 Number	<b>15052544081856</b>

## Standards & Approvals

Manufactured In Accordance To	<b>BS EN 60598 -2-1</b>
CE Marked	<b>yes</b>
UKCA Marked	<b>Yes</b>
Date code/Purchase order No.	<b>Yes</b>
WEEE Symbol	<b>yes</b>
Certificate Of Conformity	<b>Available on request</b>
Accredited Members	<b>LIA, ISO9001-2015, ISO14001-2015</b>





---

JCC Lighting LTD Innovation Centre, Beeding Close, Southern Cross Trading Estate, Bognor Regis, West Sussex PO22 9TS  
Sales: 01243 838999 (8am to 5pm Monday to Friday) Fax: 01243 838998 | [sales@jcc.co.uk](mailto:sales@jcc.co.uk) | [www.jcc.co.uk](http://www.jcc.co.uk)  
Company Registration Number: 03044848 | VAT Number: 918544112

This document is uncontrolled if printed, all information is subject to change

Version 68 [04/01/2022]