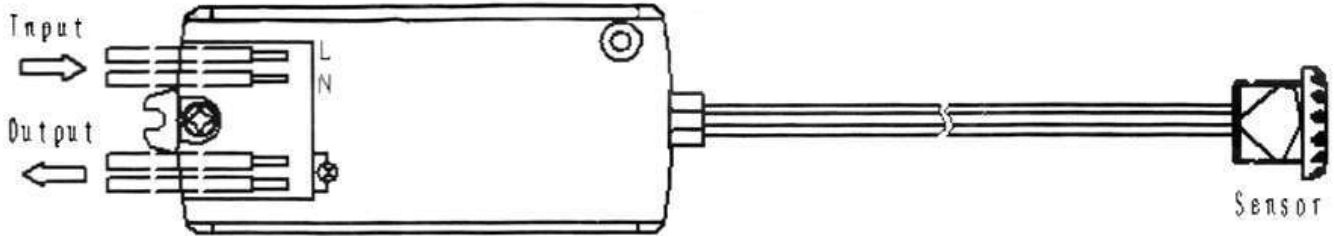


**Model: HZK218C**

Isolated IR switch controller with flexible IR sensor detector.

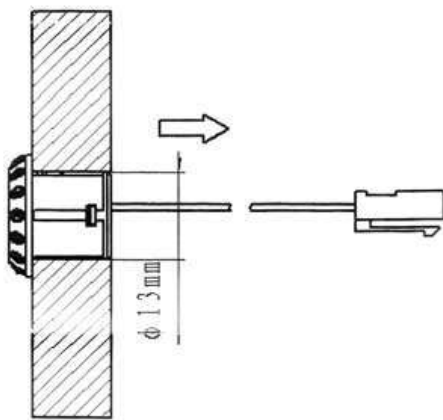
---

**Mounting schematics**



**Fig.1**

Input: 100-240V~50/60Hz  
Max. load power: 250VA  
Sensor input: 2m sensor cable  
with IR sensor  
Max. sensor distance: 5cm~10cm



**Fig.2**

Drilling a hole of  $\varnothing 13\text{mm}$  at desired position and mount the IR-Sensor detector as shown on figure 2 on the left, and connect the plug to the controller of HZK218C.

---

**Attention:**

**Permanent mains connection must be undertaken only by a qualified specialist.**

Make sure to connect HZK218C only to properly installed mains. Cut connection to the mains during assembly.

Keep clean of IR-sensor detector to avoid the unwanted action of the sensor.

Make sure that IR-sensor is fixed to the drilling hole, otherwise its function can be affected.

The IR-sensor reacts on short approaches of objects(newspapers) or human hands. The IR sensor controller switches on when it detects the object within its detecting range and switches off when it detects the object within its detecting range again.

Keep away any waving objects within the detection area to avoid the unwanted action of the controller.