



a **LEVITON**
company

JC23401WPR

RadiaLED Utility Mains IP65 Ø205mm Bulkhead 12W 4000K 1150lm LED Prismatic



General Information

Product Group	LED - Surface
Product Range	RadiaLED Utility
Range Name	RadiaLED 12W Utility
Product Weight	0.5kg
Finishes Available	White Base c/w prismatic Diffuser
Overall Dimensions	203 x 85mm
Recommended Product Location	Suitable for indoor or outdoor use, wall and ceiling mount
Method Of Fix	Back fix using screws provided
Ingress Protection (IP)	IP65

JCC Lighting

Innovation Centre, Beeding Close, Southern Cross
Trading Estate, Bognor Regis, West Sussex, PO22 9TS
Company Registration Number: 03044848 | VAT Number: 918544112
T: 01243 838999 | F: 01243 838998 | sales@jcc.co.uk | www.jcc.co.uk

Suitable For Zones	Zones 1 and 2
Origin Of Manufacture	PRC
Guarantee	2 year guarantee +3 year extended warranty(registration required)
Driver Manufacturer	KG-POWER
LED Manufacturer/Type	2835/HONGLI

Electrical

Input Voltage (V)	220-240V~
Primary Running Current	300mA
Operating Frequency (Hz)	50/60Hz
CC or CV	Constant Current
Luminaire Circuit Wattage	12W
Class	Class I, must be earthed
Output Voltage (V)	<40V
EMC Compliant (EN55015)	yes
Power Factor Correction	0.9
Input Electrical Connections	live, earth, neutral screw terminal (2 x conduit entry points)
Dimmable	no

Thermals

Max Luminaire Ambient Temp.	26°C
Max Driver/Ballast Ambient Temp.	50°C
Thermal Cut Out	105°C

Performance Data

Energy Rating	A+
----------------------	----

JCC Lighting

Innovation Centre, Beeding Close, Southern Cross
Trading Estate, Bognor Regis, West Sussex, PO22 9TS
Company Registration Number: 03044848 | VAT Number: 918544112
T: 01243 838999 | F: 01243 838998 | sales@jcc.co.uk | www.jcc.co.uk

Lumen Output	1150
Lumens Per Circuit Watt	96
LED Life (Hours)	30,000
CRI: Ra	80
Colour Temperature (K)	4000K
LOR (Light Output Ratio) %	100%
Photometry Available	yes

Construction

Main Chassis	polycarbonate
Diffuser	Prismatic polycarbonate
Heat Sink	extruded aluminium
Driver Housing	polycarbonate

Packaging

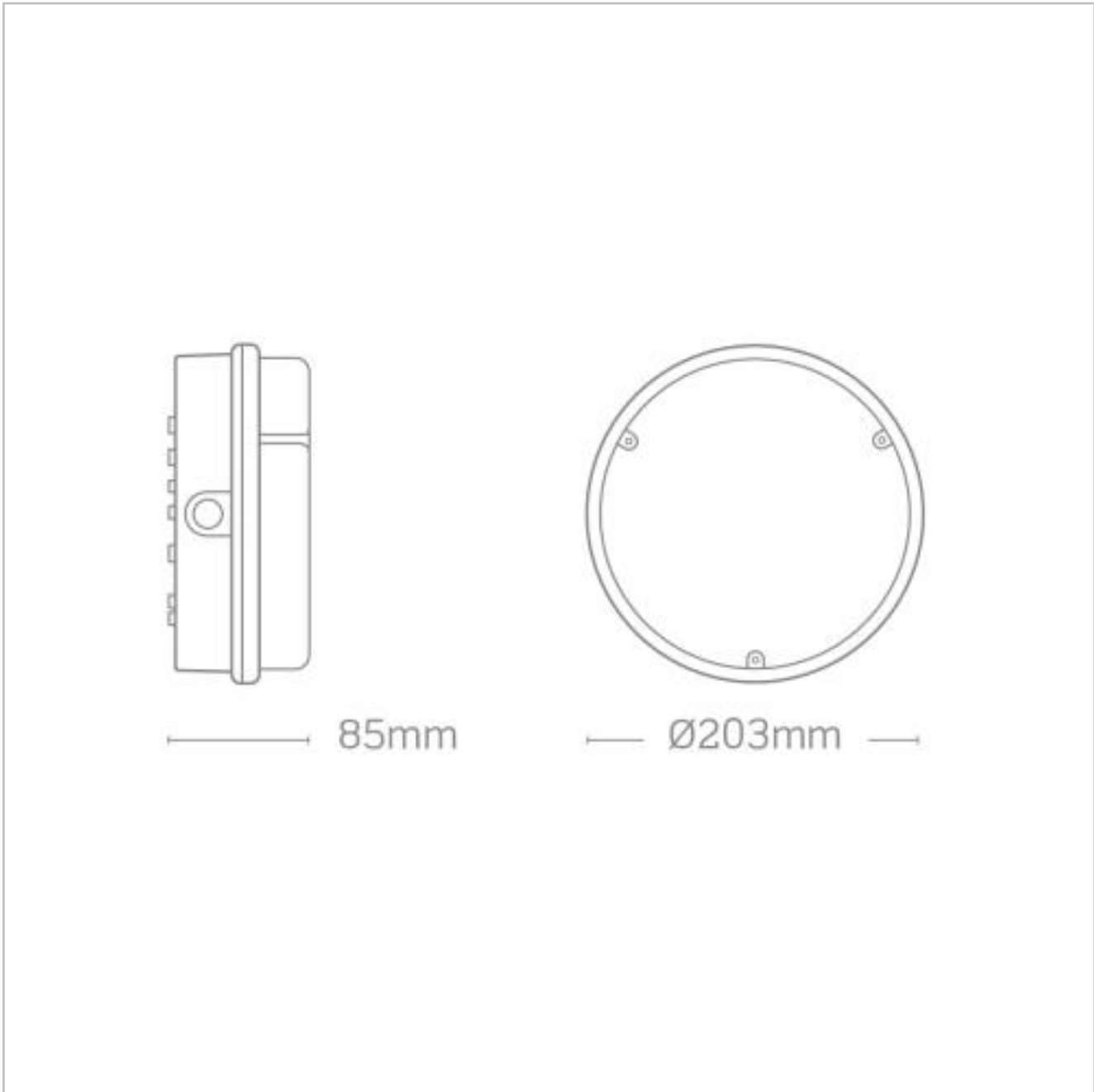
Luminaire Carton Dimensions	210 x 210 x 90mm
Quantity Per Outer Carton	12
Bar Code EAN Number	5052544053016
Packaged Weight	0.7kg

Standards & Approvals

Manufactured In Accordance To	BS EN 60598-2-1
CE Marked	yes
Batch Coded	yes
WEEE Symbol	yes
Certificate Of Conformity	available on request

JCC Lighting

Innovation Centre, Beeding Close, Southern Cross
Trading Estate, Bognor Regis, West Sussex, PO22 9TS
Company Registration Number: 03044848 | VAT Number: 918544112
T: 01243 838998 | F: 01243 838998 | sales@jcc.co.uk | www.jcc.co.uk



Datasheet generated from <https://www.electrika.cloud> on 22 March 2018 08:48:24

JCC Lighting

Innovation Centre, Beeding Close, Southern Cross
Trading Estate, Bognor Regis, West Sussex, PO22 9TS
Company Registration Number: 03044848 | VAT Number: 918544112
T: 01243 838999 | F: 01243 838998 | sales@jcc.co.uk | www.jcc.co.uk