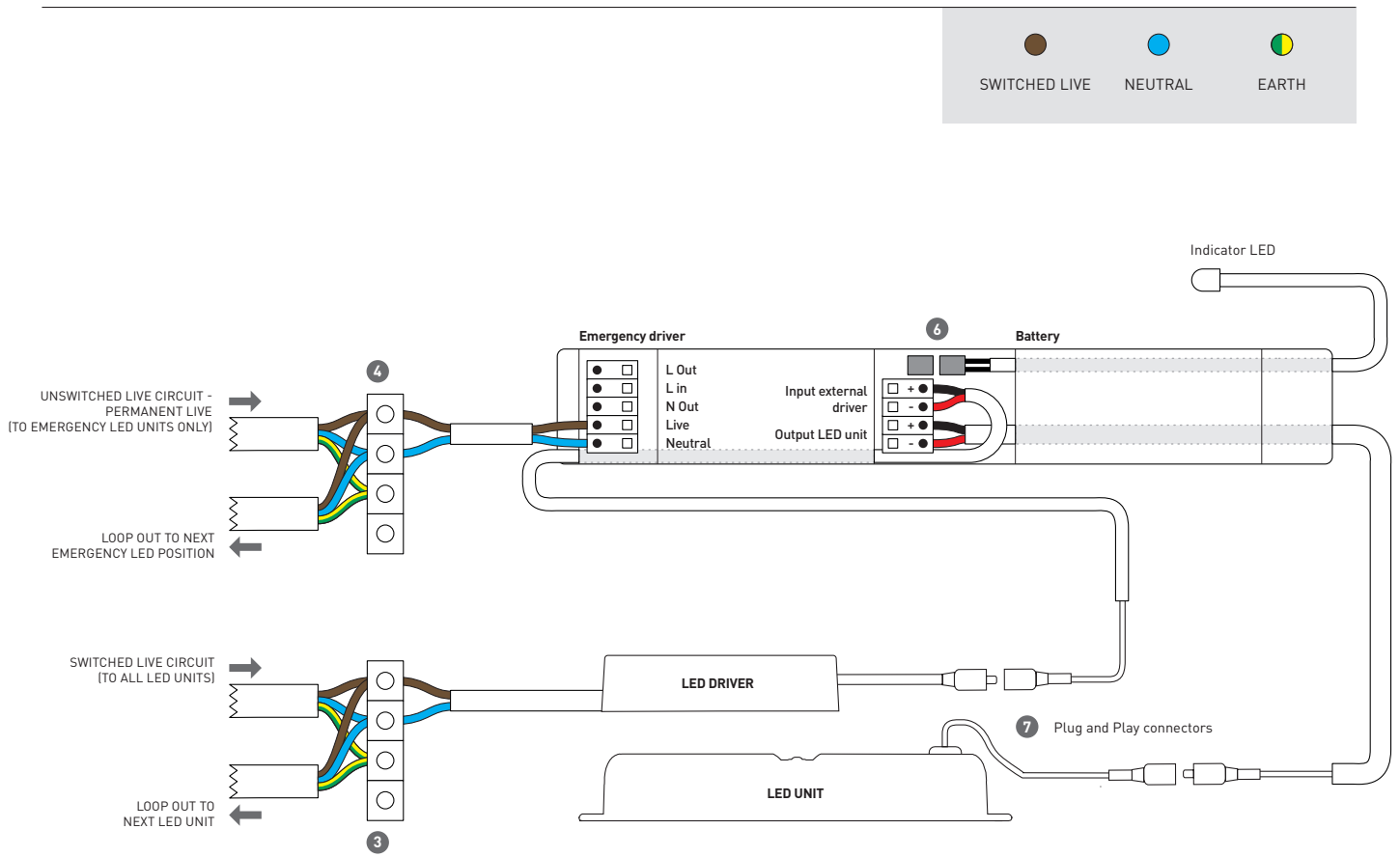


LEDEP09

INSTALLATION INSTRUCTIONS



See overleaf for single mains circuit option (1 x 4-core cable)

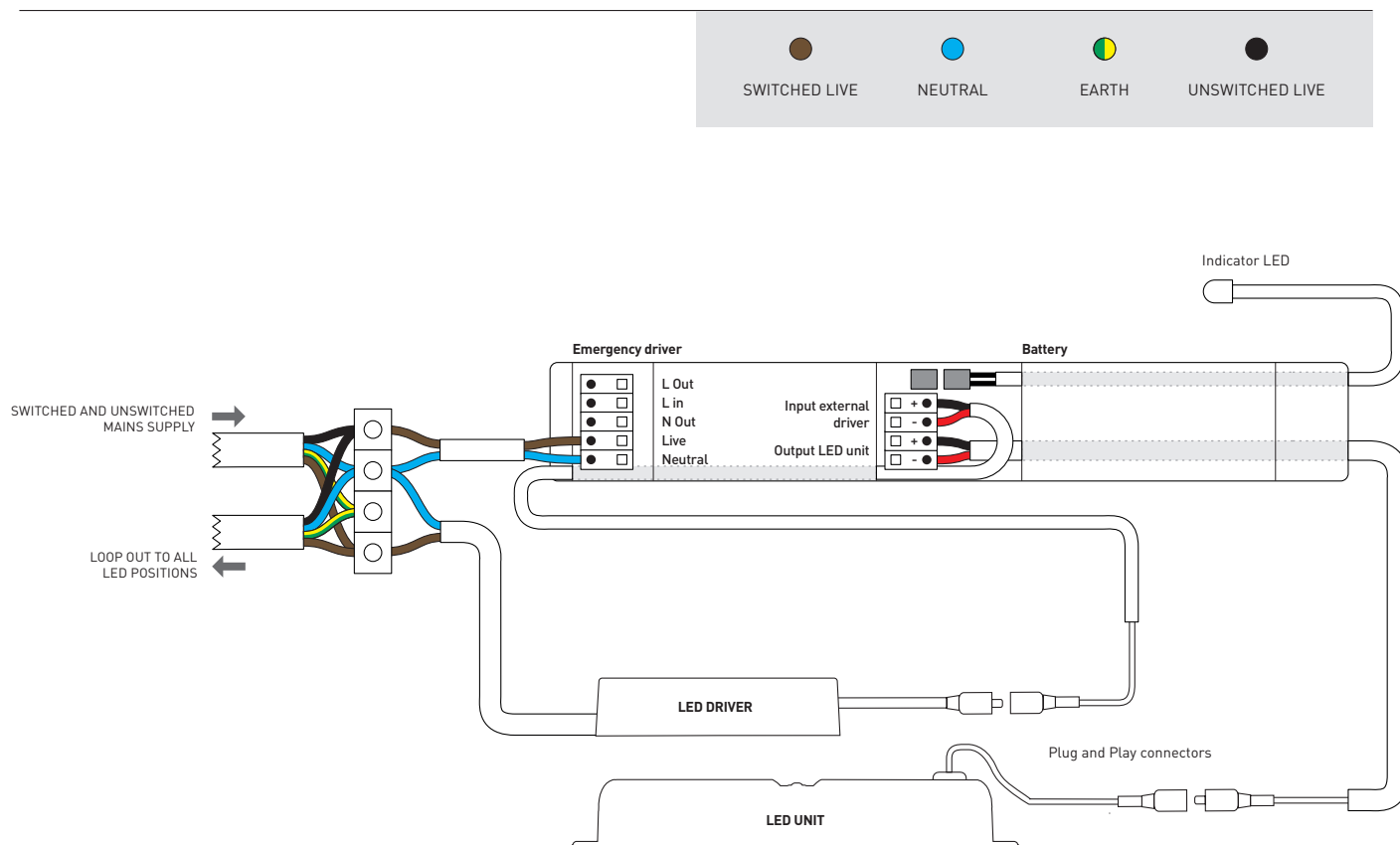
EN

Installation

1. Refer to the LED unit installation instructions, install all non-emergency LED units.
2. For each emergency light position, drill an 18mm hole close to the LED unit. This is for the LEDEP09 indicator LED.
- 3 **SWITCHED LIVE CIRCUIT**
Connect the LED driver mains cable to the switched live supply.
- 4 **UNSWITCHED LIVE CIRCUIT**
Connect the LEDEP09 live and neutral terminals to the unswitched live supply.
5. Fit end covers to both ends of the LEDEP09.
6. Connect the battery pack to the LEDEP09 (plug & play).
7. Connect the LEDEP09 output wires with plug and play connectors to the relevant connectors of the LED unit and LED driver.
8. Feed the junction boxes/connectors and LEDEP09 through the ceiling hole.
9. Feed the indicator LED down through the hole.
10. Fit the indicator housing to the indicator LED, then press the housing into the ceiling.
Note: If the drilled hole is slightly larger than 18mm, it may be necessary to apply a little adhesive to the housing to secure it.
11. Fit the LED unit into the ceiling.
12. See overleaf for commissioning.

LEDEP09

INSTALLATION INSTRUCTIONS



EN

Emergency Pack Commissioning

1. Install unit in ceiling according to the instructions.
2. Provide an uninterrupted mains power supply for 24 hours.
3. Check that the indicator LED light is lit. This confirms that the batteries are charging.
4. Remove the mains supply – the lamp will operate under battery power for 3 hours minimum.
5. Restore mains power to the unit, check light functions correctly.

Battery must be replaced when the unit no longer meet it's rated emergency duration, or if a battery fault occurs. Contact Collingwood Lighting for a suitable replacement.

Note

- In normal operation, the green LED will be constantly lit to indicate that the battery is charging. If the green LED is ever not lit, investigate immediately and rectify the fault.
- Periodic testing of the unit must be performed in line with the appropriate regulations.