

EMERGENCY CONTROL GEAR

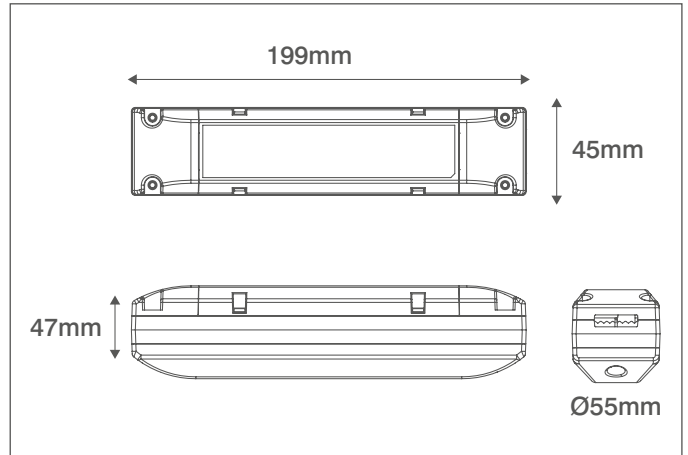
Technical Specification

Product Code: OEP6501

Luckinslive 434775244



Description: 3 Hour Universal Emergency Control Gear With Prewired Flow™ Connectors



General Information

Dimensions (mm)	199 (L) x 45 (W) x 47 (D)
Materials	Housing: Polycarbonate
Product Weight (Kg)	0.44
Cutout Diameter (mm)	55
Ingress Protection	IP20
Warranty (Years)	4

Supply & Power Information

Continuous Operating Voltage (AC) (Hz)	220-240 (50/60)
Safety Class	II
Power Consumption (W)	4
Input Current (mA)	28
Output Voltage Range (V DC)	70-250
Earth Leakage Current (mA)	<0.5
Charge Current (mA)	100-145
Charge Time Minimum (Hours)	24
Output Power (W)	6.5
Battery (Cells)	4
Open Circuit Voltage (V)	260
Rated Power (W)	6.5
Operating Temperature (°C)	5 to +60
Prewired Flow™ Connector	3 Pole CT101C With Screw Terminals & 4 Pole CT203C With Screw Terminals

Emergency Backup Information

Installation	Can be wired as maintained or non-maintained
Battery Specification	12.8V 2000mAh LiFePO4
Minimum Duration (Hours)	3

Compatible Fittings

Inceptor® Milli, Inceptor® Nano5, Inceptor Nano V2, Inceptor Omni V2, Pico & Pico FG downlights



OVIA Limited, Scolmore House, Mariner, Lichfield Road Industrial Estate,
 Tamworth, Staffordshire, B79 7UL United Kingdom
 T: +44 (0)1827 300640
 E: sales@oviaUK.com | W: oviaUK.com



Catalogue



Section



DoC



Installation

