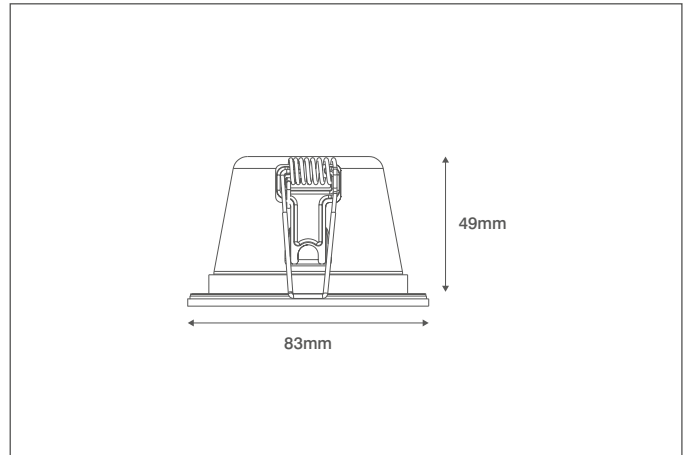


Description: 5.5W LED Fire Rated Dimmable Downlight IP65 WW White



General Information

Dimensions (mm)	83 (Dia.) x 52 (D)
Materials	Front Bezel: ABS; Rear Housing: Powder Coated Steel
Colour	White
Product Weight (Kg)	0.17
Cutout Diameter (mm)	70
Recess Depth (mm)	52
Ingress Protection	IP65
Airflow (BS 5250)	0.01m ³ /h m ² at a pressure difference of 2 Pa
Warranty (Years)	2

Supply & Power Information

Continuous Operating Voltage (AC) (Hz)	220-240 (50/60)
Safety Class	II
Circuit Wattage (W)	5.5
Input Current (mA)	32
Power Factor	0.8
Operating Temperature (°C)	-15 to +40
Critical Temperature (°C)	+80
Driver Information	Integrated

Compatible Accessories

- OVSP3120WH - 130mm Diameter (75mm Aperture) Converter Plate - White
- OVISC1020 - Insulation Support Bracket
- OEP6501 - 3 Hour Universal Emergency Pack with prewired Flow™ Connectors

Luminaire Output

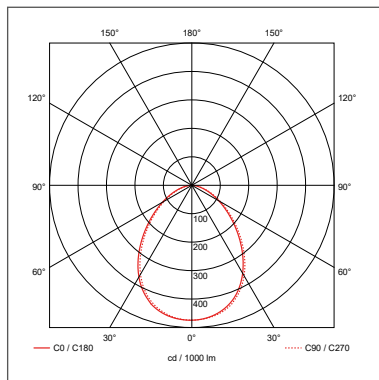
Colour Temperature (K)	2700
Colour Render Index (CRI)	>80
Typical Luminous Flux (lm)	340
Efficacy (lm/W)	61
Beam Angle (°)	90
LED Lifetime (L70) (Hours)	20000

Dimming Information

Dimmable	Yes
----------	-----

Additional Approvals

Fire Rating	30 Minutes: 'I' Joists, Metal Web and Solid Timber Joists 60 Minutes: 'I' Joists, Metal Web and Solid Timber Joists 90 Minutes: Solid Timber Joists
Acoustic Rating	0dB (zero impact on sound insulation)
Air Flow	BS 5250: 2011 compliant



OVIA Limited, Scolmore House, Mariner, Lichfield Road Industrial Estate,
Tamworth, Staffordshire, B79 7UL United Kingdom
T: +44 (0)1827 300640
E: sales@oviaUK.com | W: oviaUK.com



Catalogue



Section



DoC



Installation

