

PREPARATION:

- Before commencing any electrical work, ensure the mains isolator on the consumer unit / fuse board is in the 'OFF' position, to prevent the possibility of electric shock.
- Scolmore recommends that a sample hole is cut out in some scrap material to familiarise yourself with the installation.
- The fitting should be mounted on a flat, smooth surface, noting the position of any pipes or wiring behind the fixed surface to prevent the risk of damage.
- With all painted/plated products some shade variation may occur. Please ensure products are checked before fitting.

INSTALLATION:

1. Mark and cut out a round hole of the diameter shown above.
2. Remove terminal cover
3. Terminate cable(s)
4. Re-fit terminal cover. insert product into ceiling.
5. Do not cover with insulation. See Overleaf.

AFTER INSTALLATION:

- These light fittings require a clearance of 20mm above and 50mm around. Failure to provide this clearance around low energy fittings can shorten the luminaire's life.
- When removing the product i.e. for maintenance, allow sufficient time for the product to cool down before removing.
- IP65 rating applies only to parts which protrude from the mounted surface after installation.

COMPLIES WITH:

The OV3500 series of downlights have been tested and comply with the following:

IEC EN 60598-1 Luminaires. General Requirements.

IEC EN 60598-2-2: 2012 Recessed Luminaires.

IEC 62471: 2006 and or EN 62471: 2008 Photobiological Safety of Lamps and Lamp Systems.

IEC EN 61347-2-13: 2014 D.C. or A.C. Supplied Electronic Control Gear for LED Modules.

LVD - Directive 2014/35/EU

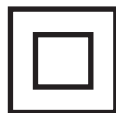
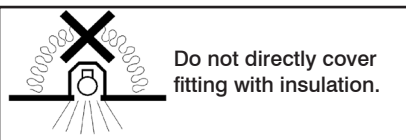
EMC - Directive 2014/30/EU

GENERAL INFORMATION:

- The manufacturer reserves the right to improve the product specification without prior notice.
- The light source contained in this luminaire is not replaceable; when the light source reaches the end of its life the whole luminaire must be replaced.
- The luminaire is double insulated; no earth is required.
- **DO NOT DISCONNECT UNDER LOAD!**



Correct Disposal of this product. This marking indicates that this product should not be disposed with other household wastes throughout the EU. To prevent possible harm to the environment or human health from uncontrolled waste disposal, recycle it responsibly to promote the sustainable reuse of material resources. To return your used device, please use the return and collection systems or contact the retailer where the product was purchased. They can take this product for environment safe recycling.



IF IN ANY DOUBT, CONSULT
A QUALIFIED ELECTRICIAN

Retain these instructions for future reference

OVIA Limited, Scolmore House, Mariner, Lichfield Road Ind. Estate, Tamworth, Staffordshire, B79 7UL

Telephone: 01827 300640
 E-mail: technical@oviaUK.com

WIRING & INSTALLATION:

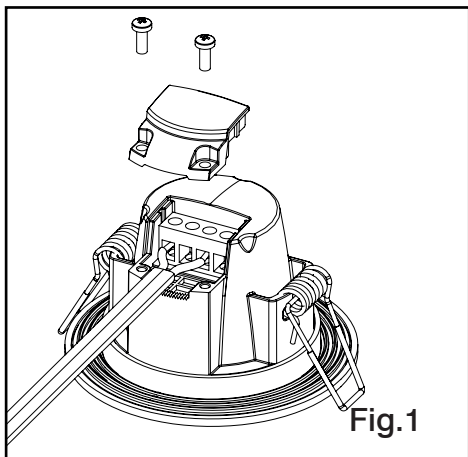


Fig.1

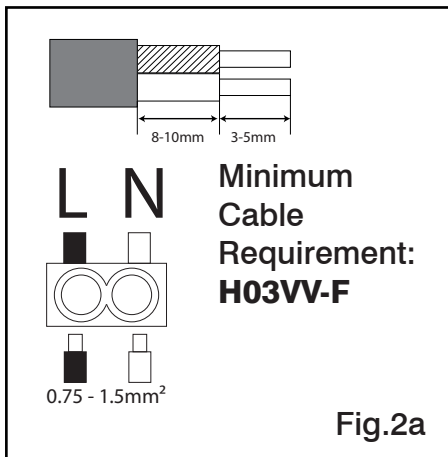


Fig.2a

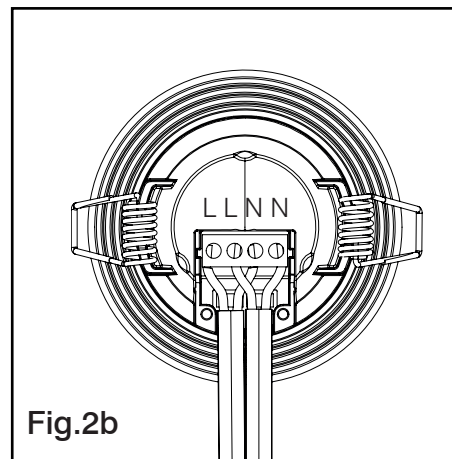


Fig.2b

Fig.1: loosen the two top screws and remove the terminal cover to expose the terminals.

Fig.2a: Prepare the conductors appropriately and insert into the designated terminals.

There is no provision for Earth within this fitting.

Fig.2b: If looping-in/out a second pair of conductors can be added, again in the designated terminals.

Fig.3: Re-fit the terminal cover tightly enough to grip the cable(s).

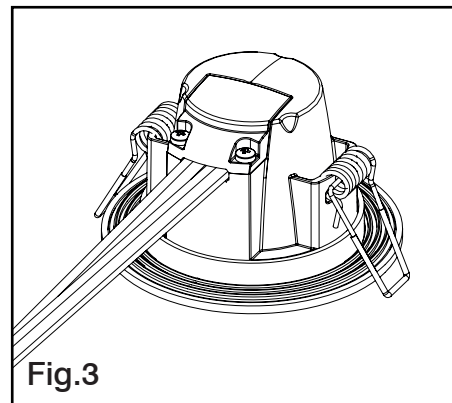


Fig.3

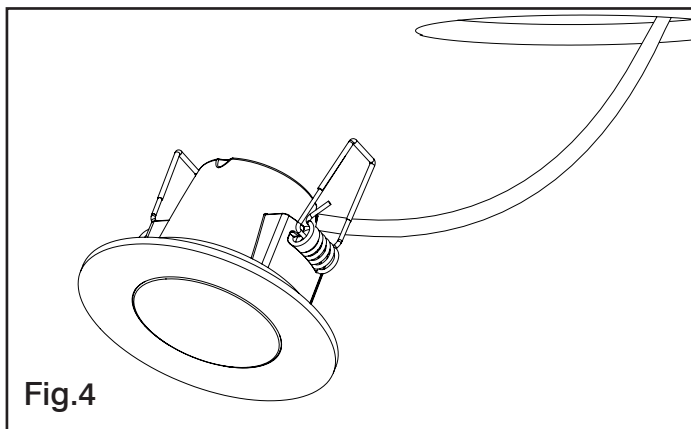


Fig.4

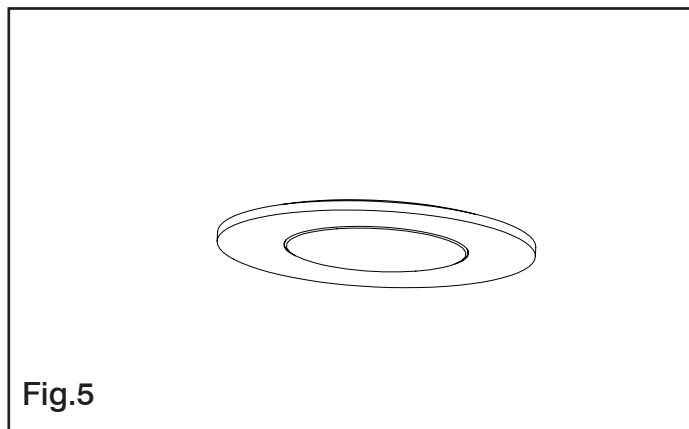


Fig.5

Fig.4: Lift the retaining springs to an almost vertical position. **Take care during this step to avoid injury to fingers!**

Fig.5: Insert the downlight into the ceiling. A moisture seal is provided to maintain the IP rating of the fitting. Removing this will compromise the ingress protection of the fitting.

Fig.6: The fitting should not be covered in thermal insulation. Scolmore recommends leaving 50mm around and 20mm above the fitting to allow sufficient room for cooling.

WARNING! Covering the product with insulation will increase the operating temperature and reduce the effective lifetime of the product significantly.

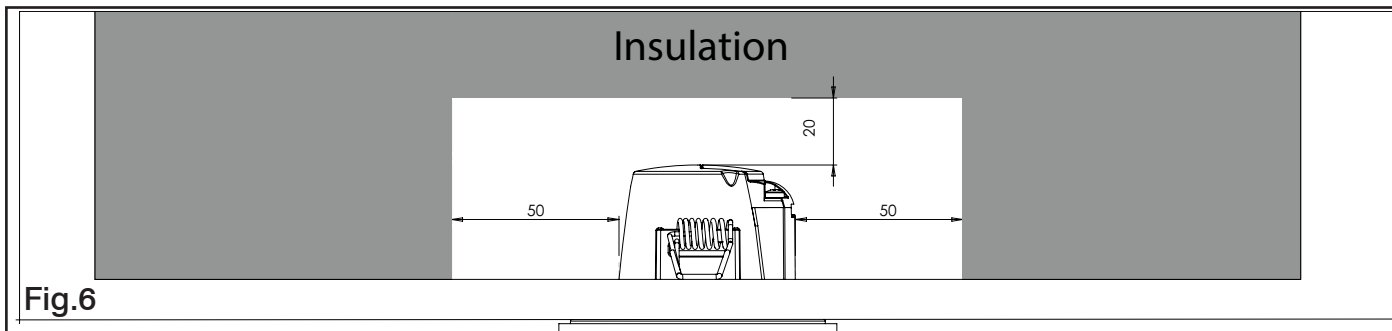


Fig.6

Ovia Limited, Scolmore House, Mariner, Lichfield Road Ind. Estate, Tamworth, Staffordshire, B79 7UL

Telephone: 01827 300640
E-mail: technical@oviaUK.com

OVIA
ScolmoreGROUP

Website: www.oviaUK.com