

## WiFi Controller SR-2818WITR-N(W)



DMX512 signal output    WLAN    5V DC power input



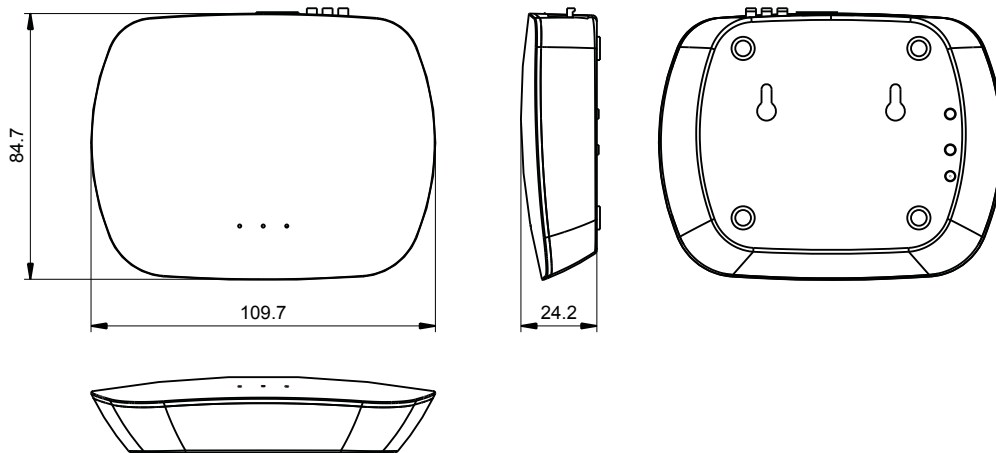
### Feature

SR-2818WITR-N(W) is a converter which works with Surnicher's receiver SR-1009FX series or DMX512 decoders to be controlled by IOS or Android system via WIFI.

### Parameter

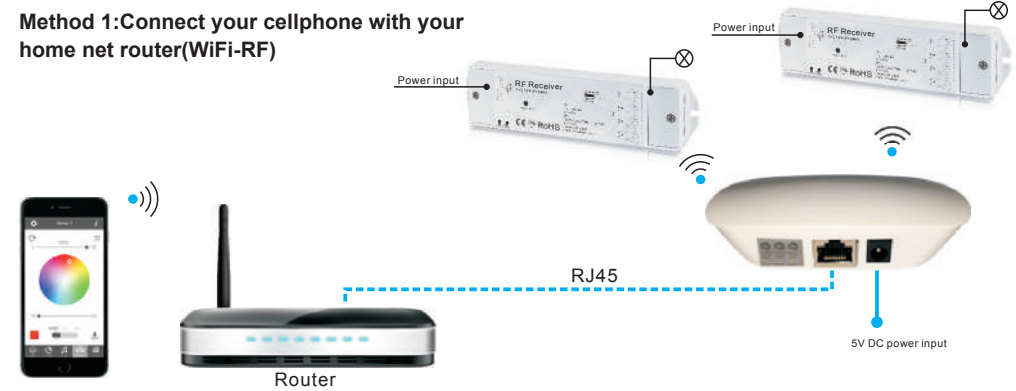
Part No.	Operation Voltage	Output	Operation frequency
SR-2818WITR-N(W)	5V DC	RF & DMX512	2.4G

### Brief introduction of buttons

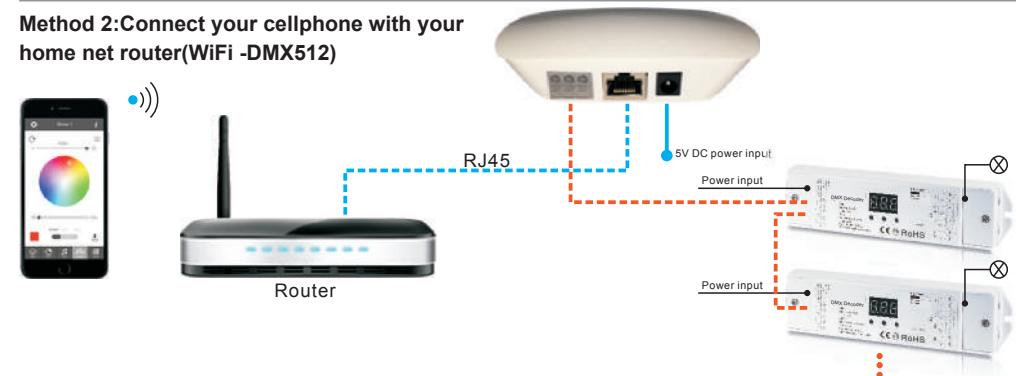


### Wiring diagram

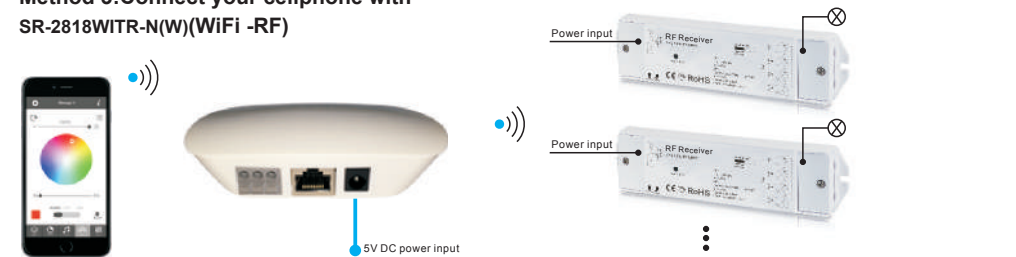
#### Method 1: Connect your cellphone with your home net router(WiFi-RF)



#### Method 2: Connect your cellphone with your home net router(WiFi -DMX512)



#### Method 3: Connect your cellphone with SR-2818WITR-N(W)(WiFi -RF)



### Operation

1. Download application from 'app store' or 'google play' by searching 'easylighting' or scanning below two-dimension code.



2. If SR-2818WiTR-N(W) has connected with router, then connect your cell phone to your router network. If SR-2818WiTR-N(W) did not connect with router, then connect your cell phone to SR-2818WiTR-N(W) network directly. (Password:0123456789)

3. Open the easylighting application and operating according the application manual.

## Safety & Warnings

- 1) The product shall be installed and serviced by a qualified person.
- 2) IP20. Please avoid the sun and rain. When installed outdoors, please ensure it is mounted in a water proof enclosure.
- 3) Always be sure to mount this unit in an area with proper ventilation to avoid overheating.
- 4) Please check if the output voltage of any LED power supplies used comply with the working voltage of the product.
- 5) Never connect any cables while power is on and always assure correct connections to avoid short circuits before switching on.
- 6) Please ensure that the cable is secured tightly in the connector
- 7) For update information please consult your supplier.

## Warranty Agreement

- 1) We provide lifelong technical assistance with this product:
  - 3-year warranty. We print date on every products, for example :1125 means year 2011, week 25. The warranty is for free repair or replacement and covers manufacturing faults only.
  - For faults beyond the 3-year warranty we reserve the right to charge for time and parts.
- 2) Limited Warranty
  - Any defects caused by wrong operation.
  - Any damages caused by unauthorized removal, maintenance, modifying, incorrect connection and replacement of chips.
  - Any damages due to transportation, vibration etc. after purchase.
  - Any damages caused by earthquake, fire, lightning, pollution and abnormal voltage.
  - Any damages caused by negligence, inappropriate storing at high temperatures and humidity or near harmful chemicals.
  - Product has been updated
- 3) Repair or replacement as provided under this warranty is the exclusive remedy to the customer.